



Server Technology

Solutions for the Data Center Equipment Cabinet

Server Technology CDU (Cabinet Power Distribution Unit) Mounting Options

Table of Contents

Vertical Mounting Solutions	3
Horizontal Mounting Solutions	10
3-Phase Modular Power Distribution CDU (Model CS-3V and CL-3V)	15

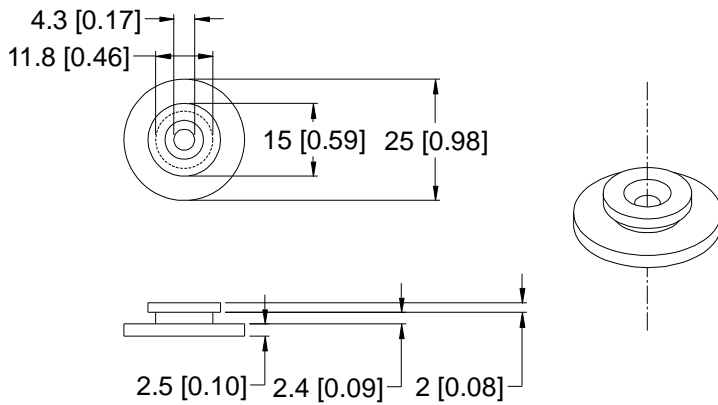
Vertical Mounting Solutions

Mounting Solutions for Vertical CDUs

Part Number	Description	Rev.
KIT-0020	Button mounting kit, Vertical, 0U*	A
Bill-of-Materials		
Part Number	Description	Qty
HDW-010-0099-00	Nylon button (Rev. A)	2
HDW-91801A214	Screw, Phillips, flat, M4x10mm, 90°, steel nickel	2

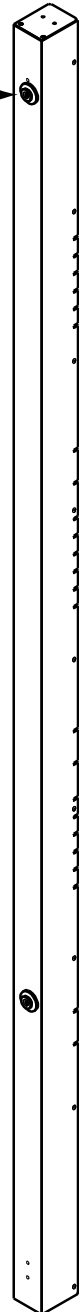
Note:

* One kit is supplied with each vertical Server Technology Sentry CDU

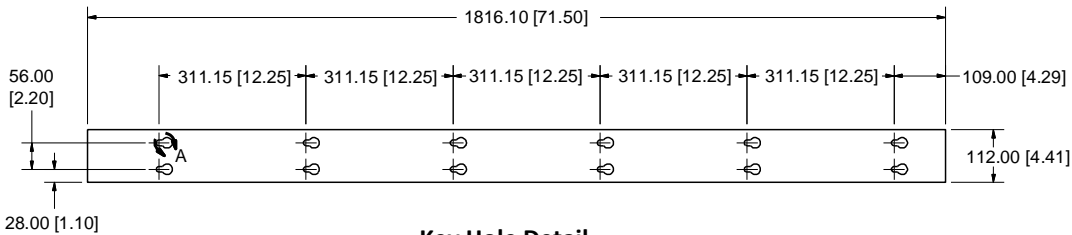


Vertical 0U Mounting

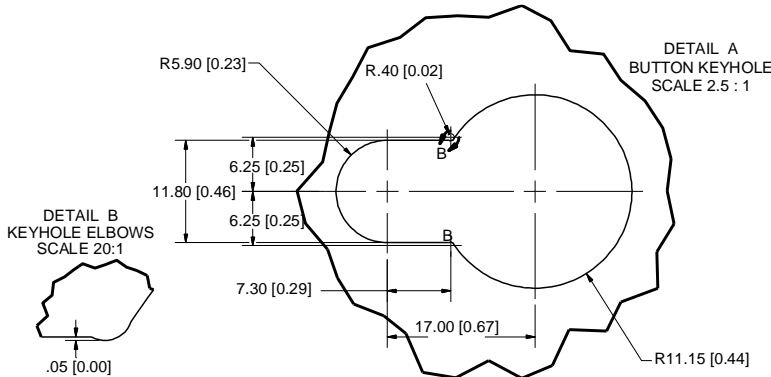
Allow 3/4" clearance at top of enclosure to allow button to mount in key hole



Key Hole Pattern
(Shown rotated clockwise 90°)



Key Hole Detail
(Shown rotated clockwise 90°)



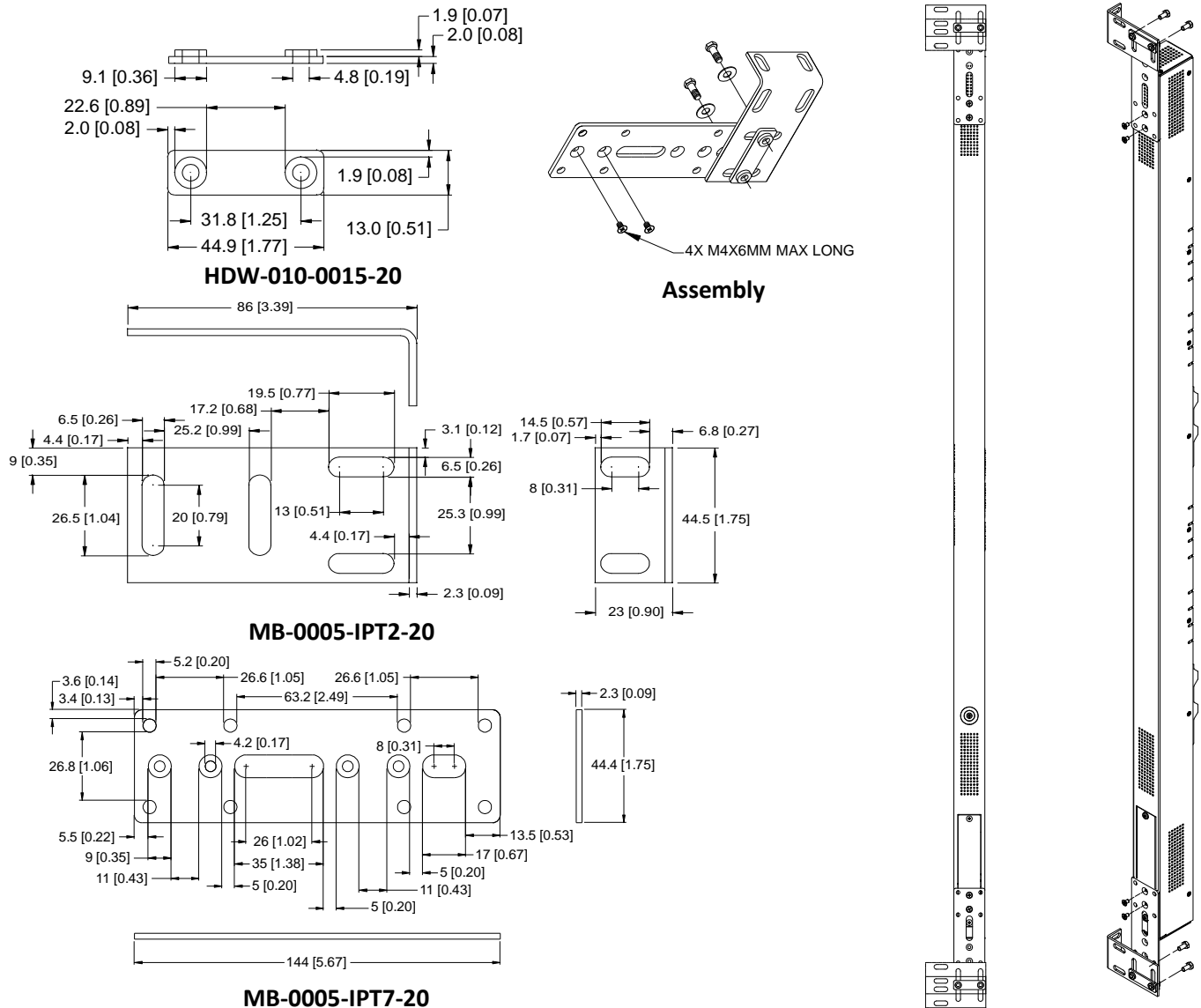
Dimensions: mm [in.]

Mounting Solutions for Vertical CDUs

Part Number	Description	Rev.
KIT-MBVPT-1B	Mounting bracket kit, vertical, 0U, black*	A
Bill-of-Materials		
Part Number	Description	Qty
HDW-010-0015-20	M5 nut plate, black (Rev. B)	2
HDW-SPMFM406BB	Screw, Phillips, flat, M4x6mm	4
HDW-SPMHM510BB	Screw, Phillips, hex, M5x10mm	4
HDW-WSM5FBB-1	Washer, flat, M5	4
MB-0005-IPT2-20	Bracket, VPT, L-shaped, black (Rev. E)	2
MB-0005-IPT7-20	Bracket, VPT, removable flange, black (Rev. C)	2

Notes:

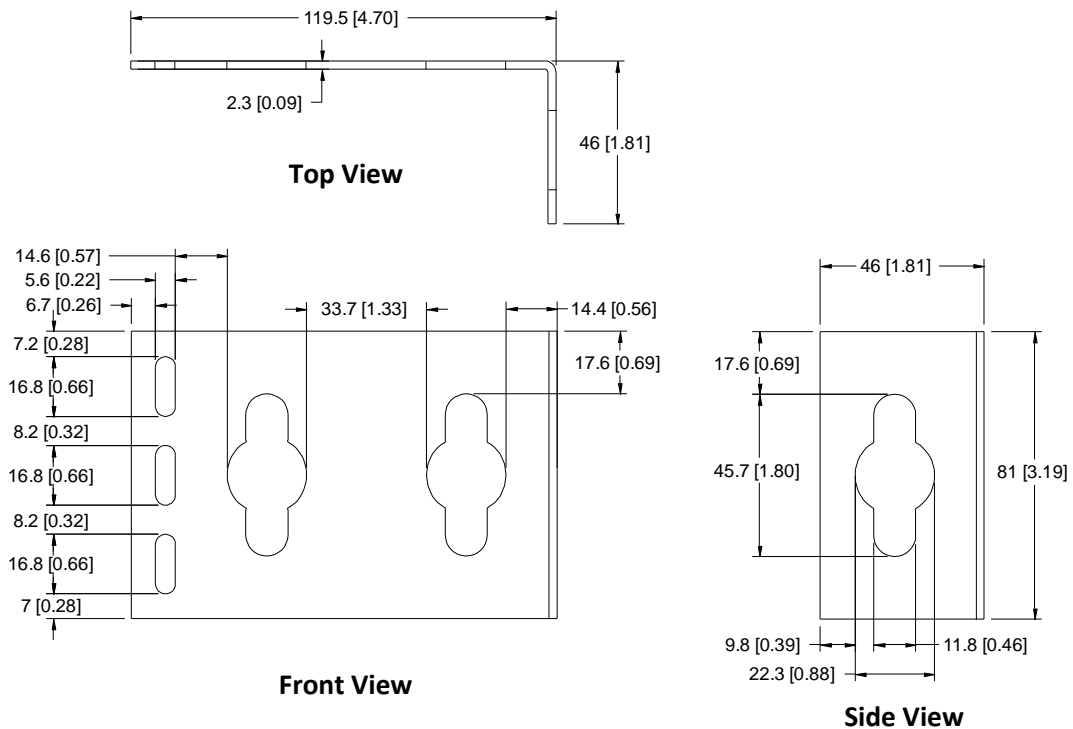
* One kit is supplied with each vertical Server Technology Sentry CDU. Beige colored kit available, part number KIT-MBNF2-1



Dimensions: mm [in.]

Mounting Solutions for Vertical CDUs

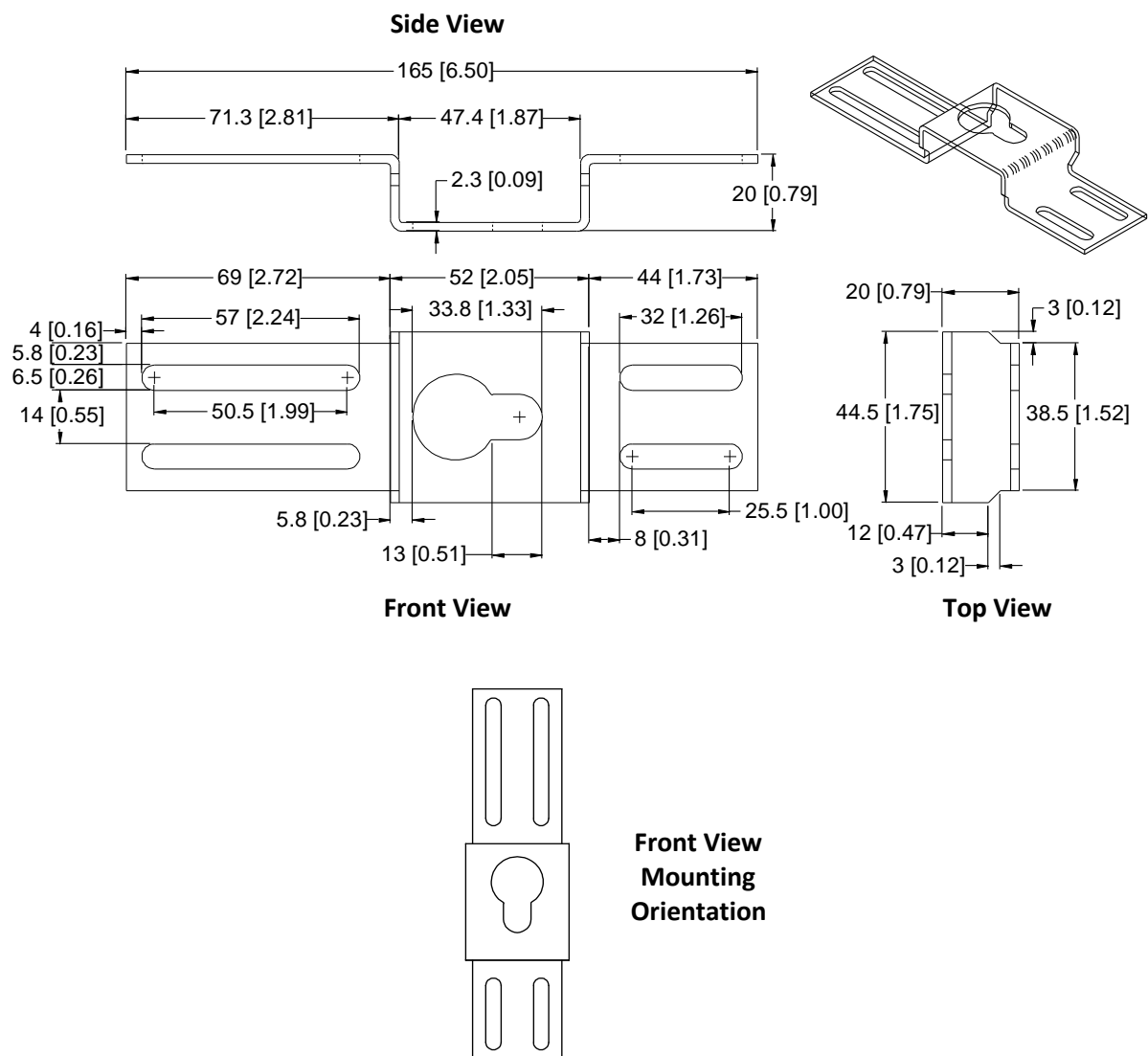
Part Number	Description	Rev.
KIT-MB-01	Vertical button mounting L-bracket kit for Rittal/Dell/HP and other cabinets to mount two 1.75" wide CDUs side by side or one dual input power feed CDU. Uses button mount kit (P/N KIT-0020) that comes with the vertical CDU.	A
Bill-of-Materials		
Part Number	Description	Qty
HDW-04M-00039	Screw, Phillips, pan, M5.5x13mm, zinc plate, steel, self tapping	6
MB-0005-0036-00	Mounting L-bracket, clear finish (Rev. A)	2



Dimensions: mm [in.]

Mounting Solutions for Vertical CDUs

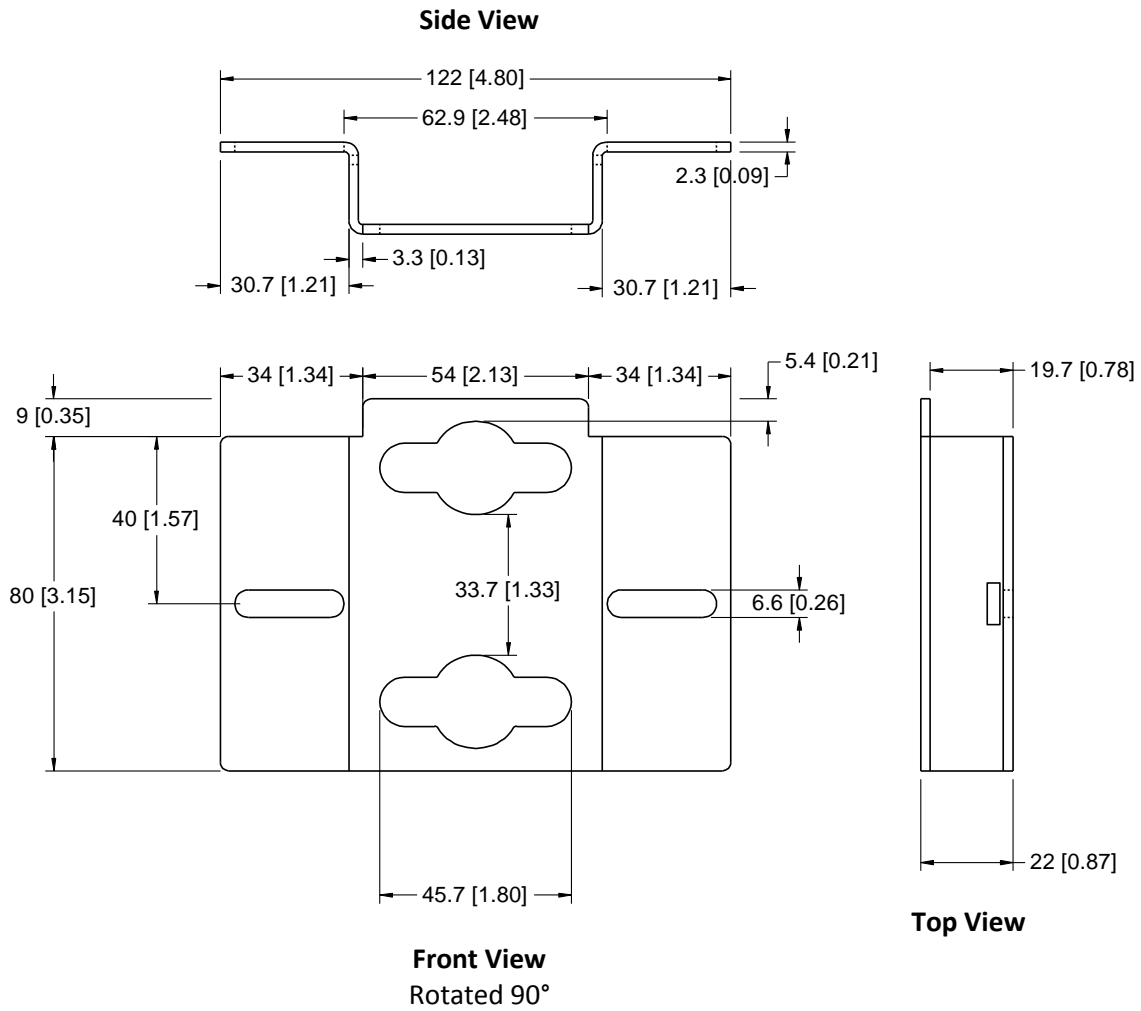
Part Number	Description	Rev.
KIT-MB-02	Bracket kit for button mounting of single-input feed/single-wide (1.75" wide) CDUs in dead-space between Rittal TS8 and other cabinets. Also used for mounting in the back of cabinets.	A
Bill-of-Materials		
Part Number	Description	Qty
HDW-04M-00039	Screw, Phillips, pan, M5.5x13mm, zinc plate steel, self tapping	6
MB-0005-0027-00	Mounting bracket, single key hole for CDU button (Rev. D)	2



Dimensions: mm [in.]

Mounting Solutions for Vertical CDUs

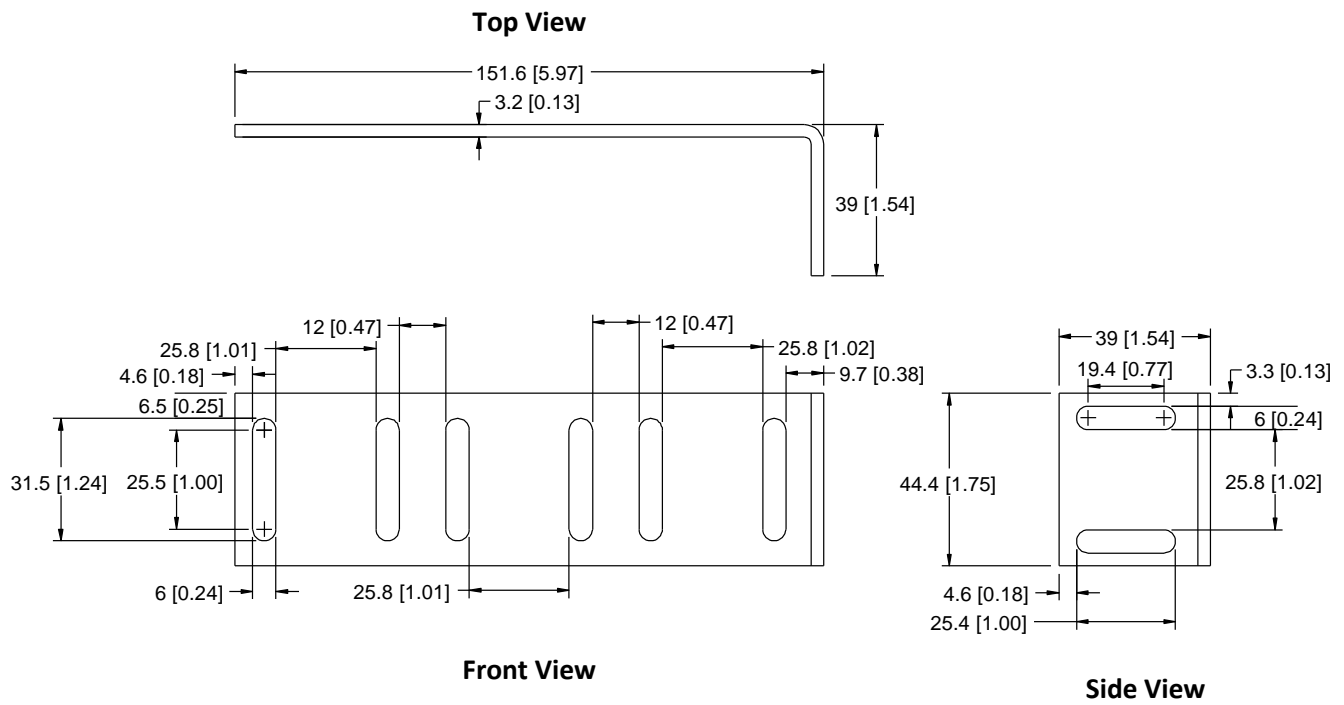
Part Number	Description	Rev.
MB-0005-0040-00	Quantity one (1) custom dual-keyhole button mounting bracket for various Wrightline Paramount and other cabinets. Two (2) brackets needed per CDU.	B



Dimensions: mm [in.]

Mounting Solutions for Vertical CDUs

Part Number	Description	Rev.
MB-0005-EQFX-10	Mounting L-bracket, supports up to three vertical 1.75" wide CDUs, ivory (2 required). Used in conjunction with KIT-MBVPT-1x	B



Dimensions: mm [in.]

Horizontal Mounting Solutions

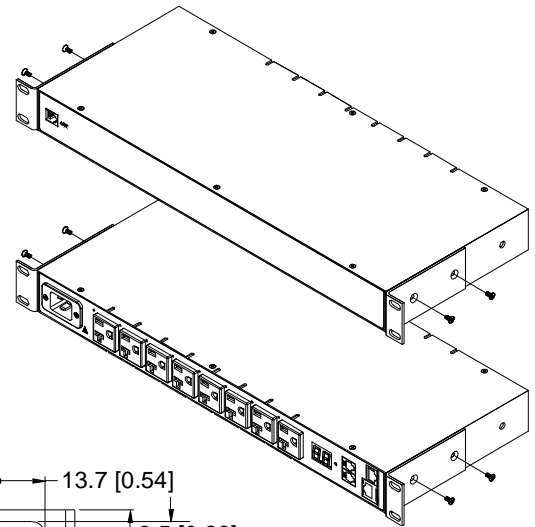
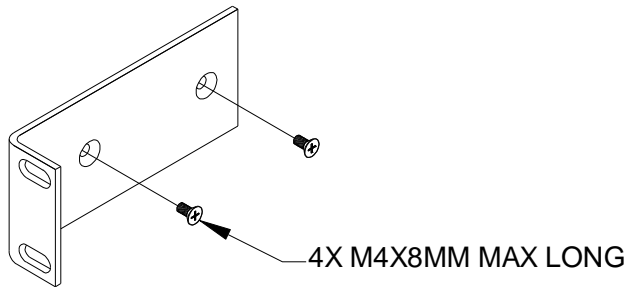
Mounting Solutions for Horizontal Rack CDUs

Part Number	Description	Rev.
KIT-MBH1-1	Horizontal 19" rack mounting L-bracket kit, 1U, beige*	A
Bill-of-Materials		
Part Number	Description	Qty
HDW-SPMFM408BN	Screw, Phillips, flat, M4x8mm, steel nickel	4
MB-0005-0023-10	Mounting L-bracket, 1U, beige (Rev. B)	2

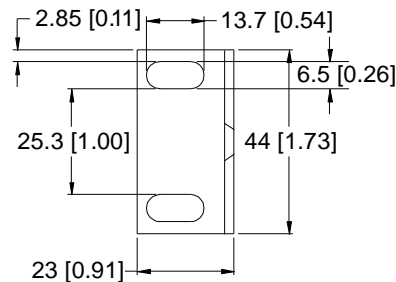
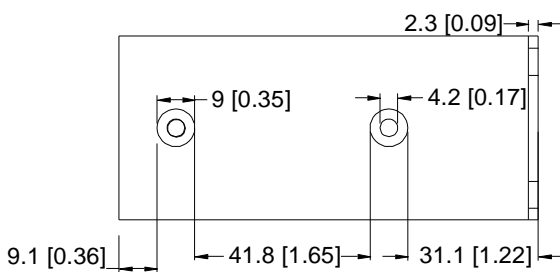
Part Number	Description	Rev.
KIT-MBH1-1B	Horizontal 19" rack mounting L-bracket kit, 1U, black*	A
Bill-of-Materials		
Part Number	Description	Qty
HDW-SPMFM408BB	Screw, Phillips, flat, M4x8mm, black	4
MB-0005-0023-20	Mounting L-bracket, 1U, black (Rev. B)	2

Note:

* One kit is supplied with each 1U horizontal Server Technology Sentry CDU

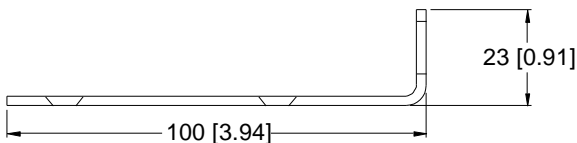


Side View



Front View

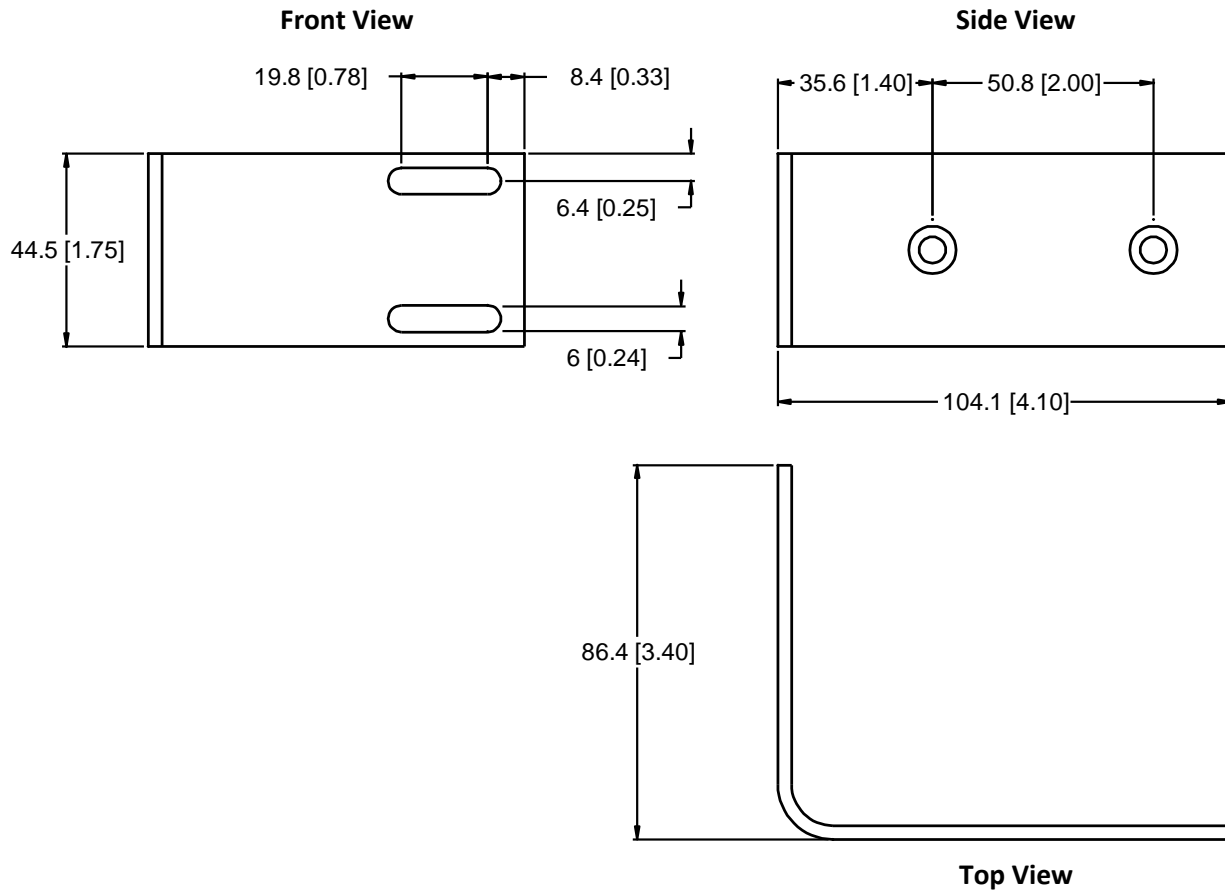
Top View



Dimensions: mm [in.]

Mounting Solutions for Horizontal Rack CDUs

Part Number	Description	Rev.
HDW-MBXT-1U	Horizontal 23" rack mounting L-bracket kit, 1U, beige. Includes 2 brackets	B



Dimensions: mm [in.]

Mounting Solutions for Horizontal Rack CDUs

Part Number	Description	Rev.
KIT-MB2U-4	Horizontal 19" rack mounting L-bracket kit, 2U, beige*	A

Bill-of-Materials

Part Number	Description	Qty
HDW-SPMFM510BN	Screw, Phillips, flat, M5x10mm, steel nickel	4
MB-0005-0026-10	Mounting L-bracket, 2U products, beige (Rev. A)	2

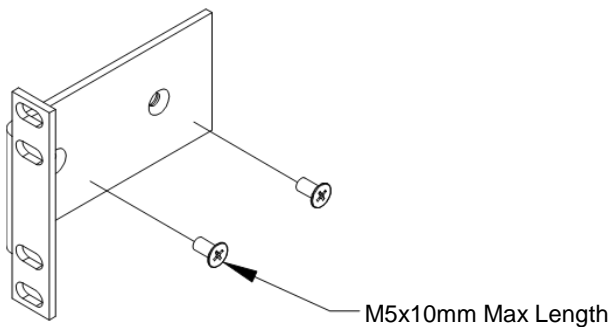
Part Number	Description	Rev.
KIT-MB2U-4B	Horizontal 19" rack mounting L-bracket kit, 2U, black*	A

Bill-of-Materials

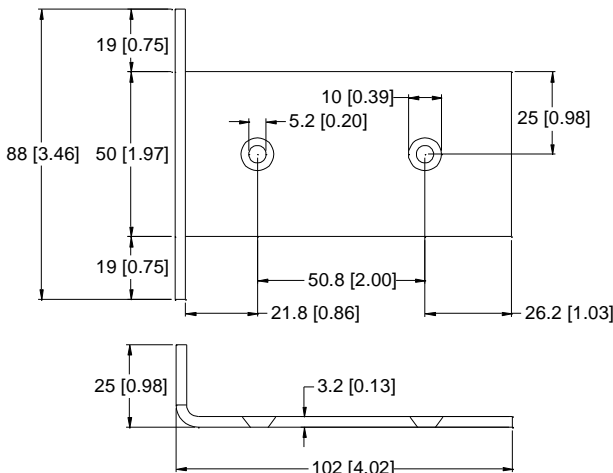
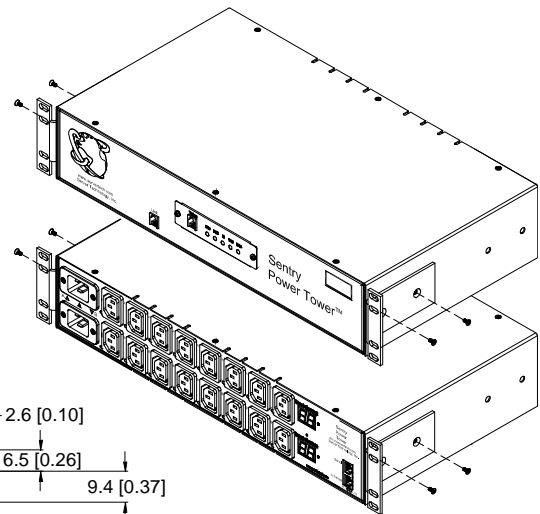
Part Number	Description	Qty
HDW-SPMFM510BB	Screw, Phillips, flat, M5x10mm	4
MB-0005-0026-20	Mounting L-bracket, 2U products, black (Rev. A)	2

Note:

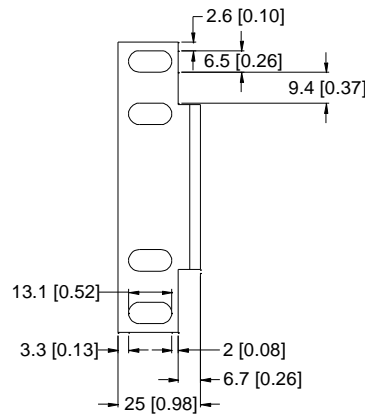
* One kit is supplied with each 2U horizontal Server Technology Sentry CDU



Side View



Top View

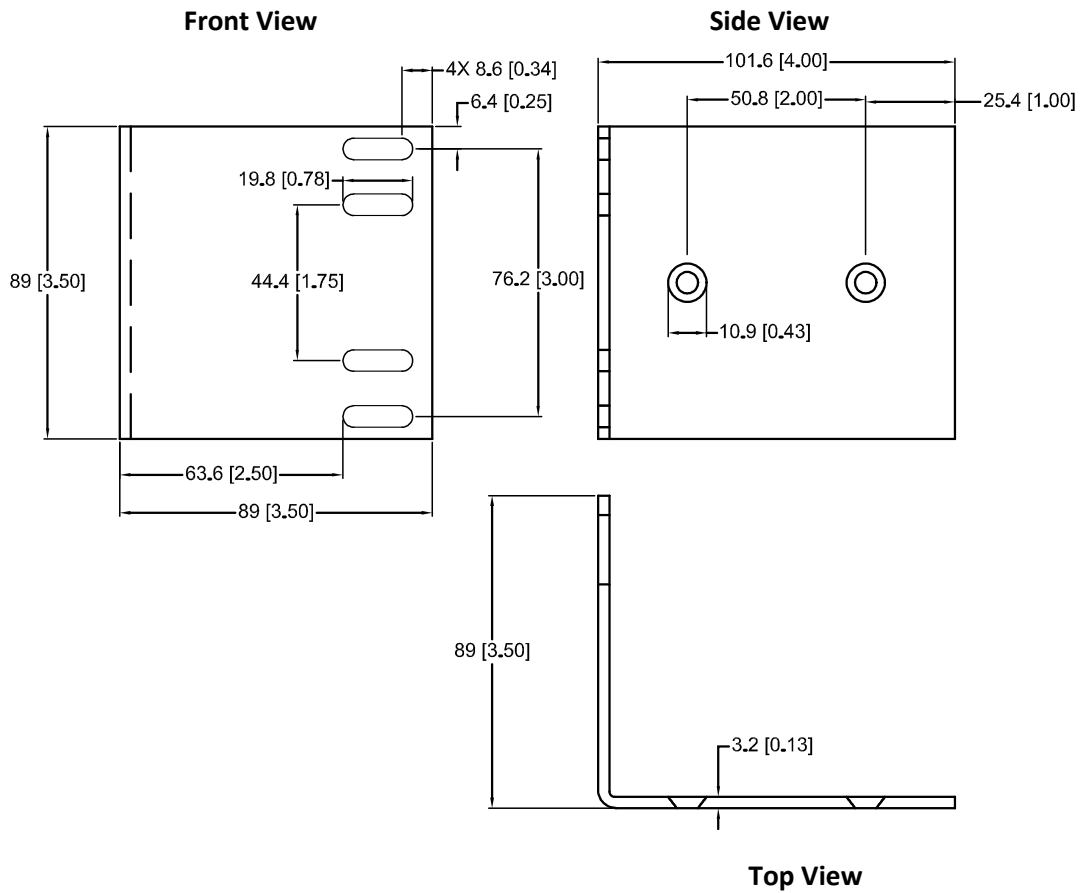


Front View

Dimensions: mm [in.]

Mounting Solutions for Horizontal Rack CDUs

Part Number	Description	Rev.
HDW-MBXT-2U	Horizontal 23" rack mounting L-bracket kit, 2U, beige. Includes 2 brackets	B



Dimensions: mm [in.]

3-Phase Modular Power Distribution CDU

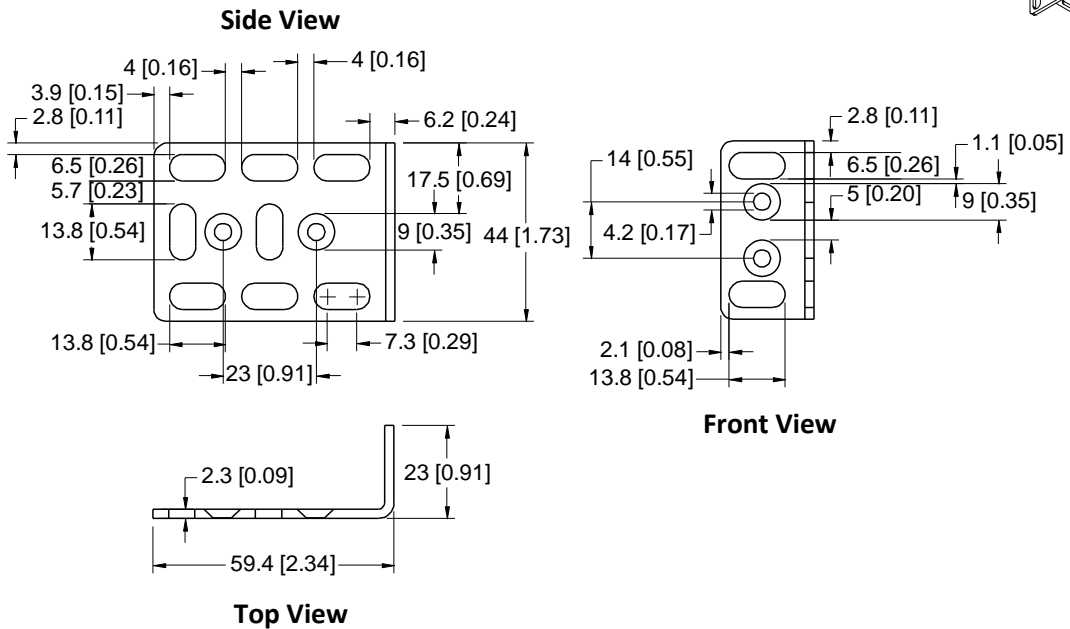
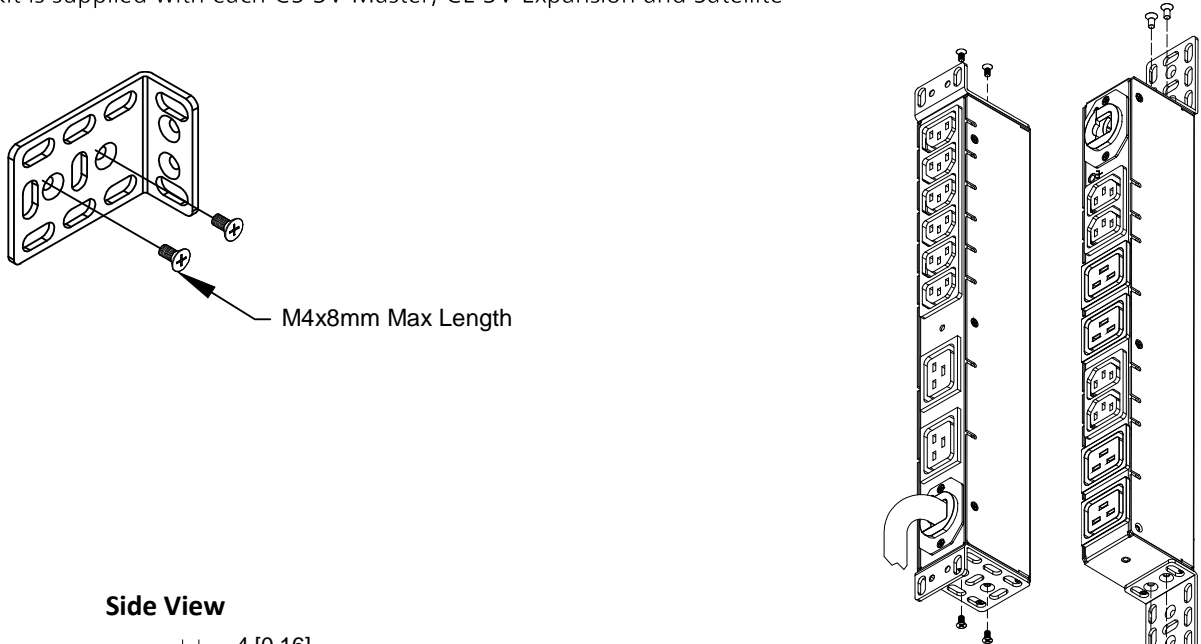


Mounting Solutions for Modular 3-phase CDUs (Model CS-3V and CL-3V)

Part Number	Description	Rev.
KIT-MBCB-1*	Mounting L-bracket, for 3-Phase Modular Master, Expansion and Satellite CDUs, black (Fits all 30 A, 32 A and 60 A Master/Expansion and 32 A Satellite models)	A
Bill-of-Materials		
Part Number	Description	Qty
HDW-SPMFM408BB	Screw, Phillips, flat, M4x8mm, 95-100 deg. steel, black	4
MB-0005-0031-20	Mounting L-bracket, 1U, black (Rev. A)	2

Note:

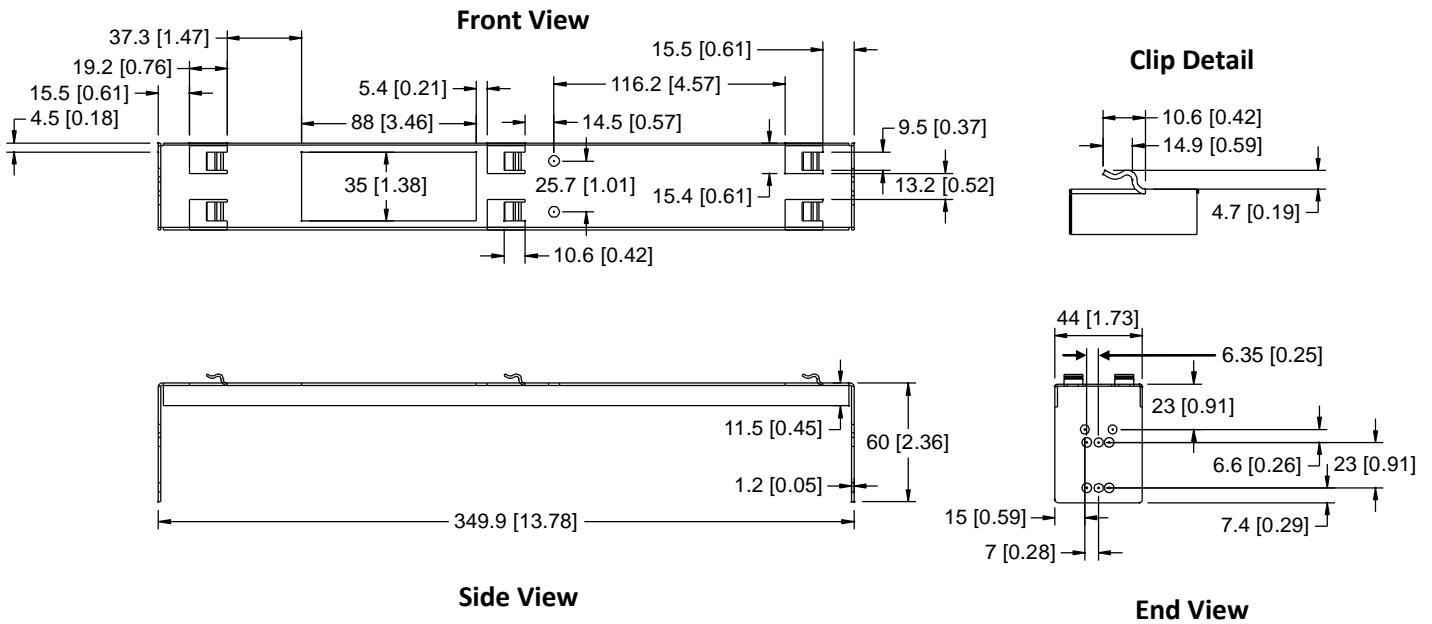
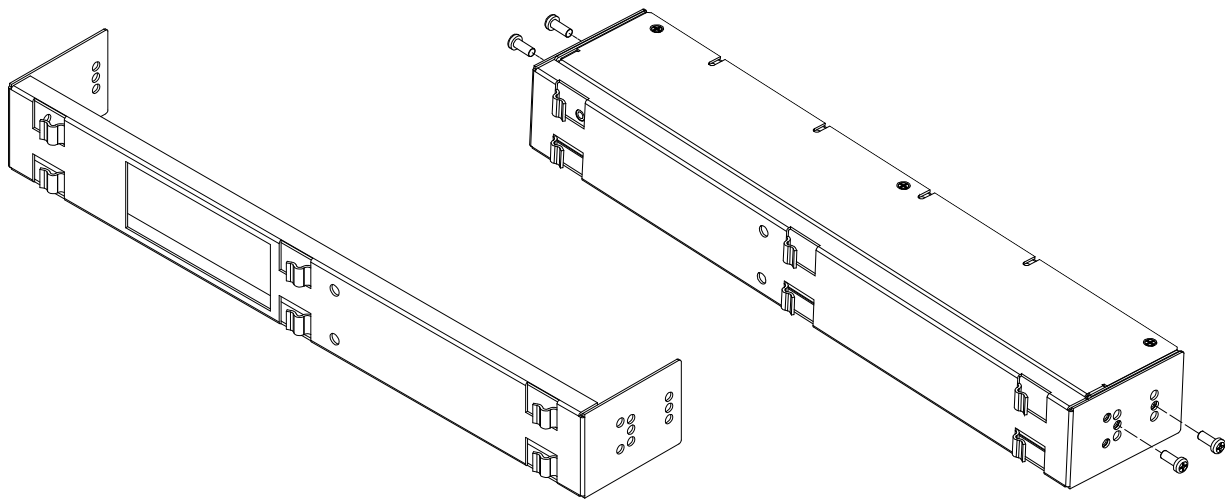
* One kit is supplied with each CS-3V Master, CL-3V Expansion and Satellite



Dimensions: mm [in.]

Mounting Solutions for Modular 3-phase CDUs (Model CS-3V and CL-3V)

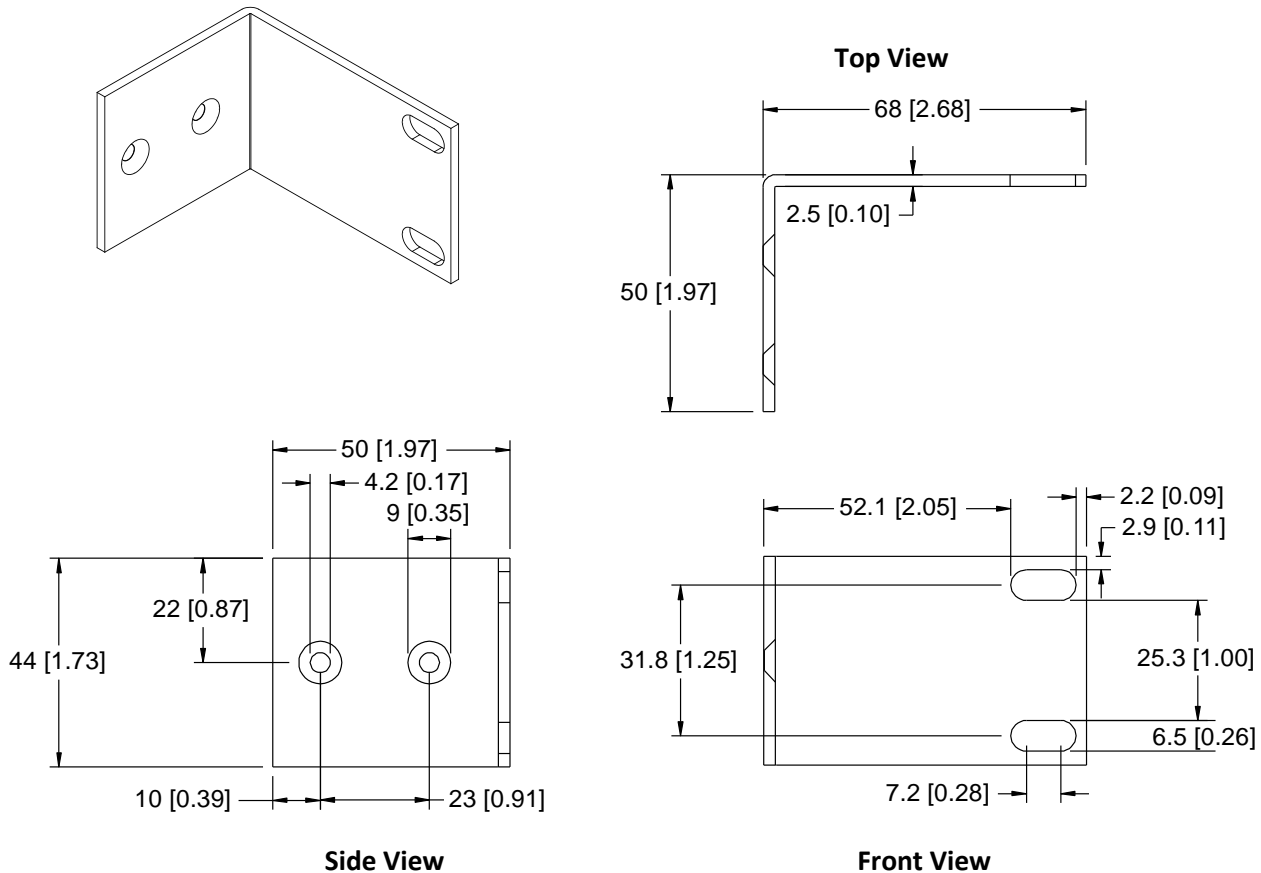
Part Number	Description	Rev.
KIT-MBCB-6	Mounting bracket kit. Fits in dead space between Z-rails in Dell and Rittal racks. Designed to hook onto the square-D holes on the Z-rails. Black. (Fits all 30 A, 32 A and 60 A Master/Expansion and 32 A Satellite models)	A
Bill-of-Materials		
Part Number	Description	Qty
ENC-0330-15-20	Mounting bracket for Dell, Rittal and other racks (Rev. C)	1
HDW-04M-00052	Screw, Phillips, pan, M4-.7x6mm, black	4



Dimensions: mm [in.]

Mounting Solutions for Modular 3-phase CDUs (Model CS-3V and CL-3V)

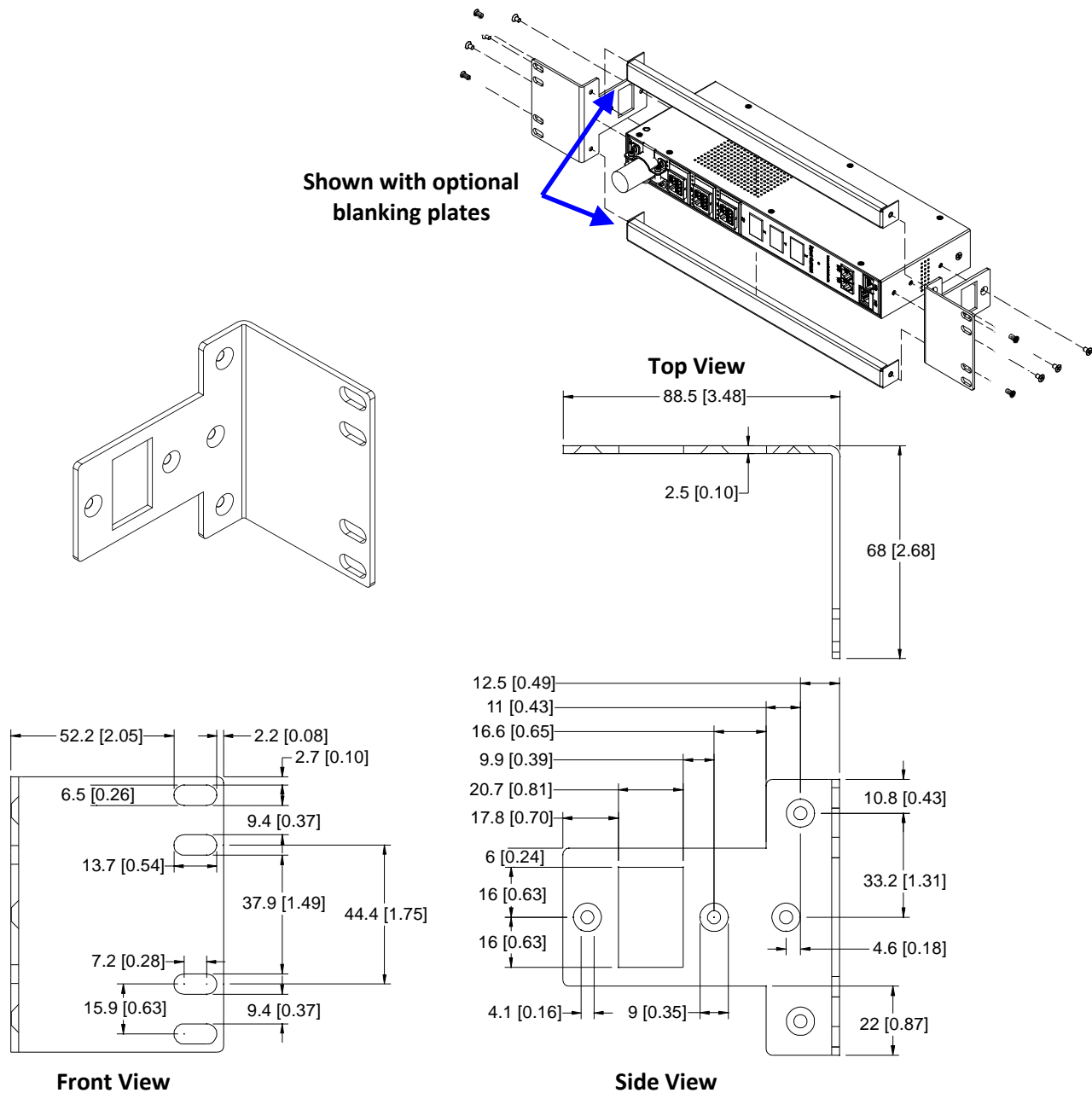
Part Number	Description	Rev.
KIT-MBCB-3	<p>1U horizontal 19" rack mounting bracket kit for 3-Phase modular CS-3V and CL-3V Master/Expansion units. Allows 208 V, 30 A Master/Expansion units to mount horizontally in 19" racks.</p> <p>Allows 32 A and 60 A Master/Expansion units to be mounted vertically in Shark Rack. To mount 32 A and 60 A units horizontally in the U-space, use KIT-MBCB-4.</p>	A
Bill-of-Materials		
Part Number	Description	Qty
HDW-SPMFM408BB	Screw, Phillips, flat, M4x8mm, 95-100 Deg. steel, black	4
MB-0005-0052-20	Mounting L-bracket, for CS-/CL-3V Master/Expansion controller, black (Rev. A)	2



Dimensions: mm [in.]

Mounting Solutions for Modular 3-phase CDUs (Model CS-3V and CL-3V)

Part Number	Description	Rev.
KIT-MBCB-4	2U horizontal 19" rack mounting kit for Modular 3-Phase CS-3V Master and CL-3V Expansion, 3-phase 208 V, 60 A and 400 V, 32 A units. Designed for proper airflow, black	A
Bill-of-Materials		
Part Number	Description	Qty
CMA-0080-0021	Mounting L-bracket, 2U, for Master CS-3V and Link CL-3V, 60A versions, black (Rev. A)	1
HDW-SPMFM408BB	Screw, Phillips, flat, M4x8mm, 95-100 Deg. steel, black	4



Dimensions: mm [in.]



Server Technology

AMERICA

Server Technology, Inc.
1040 Sandhill Drive
Reno, NV 89521
United States of America
+001 (775) 284 2000 Tel
+001 (775) 284 2065 Fax
sales@servertech.com
www.servertech.com
www.servertechblog.com

Server Technology Intl

Sienna Court
The Broadway
Maidenhead
Berkshire
SL6 1NJ
United Kingdom
+44 (0) 1628 509053 Tel
+44 (0) 1628 509100 Fax
salesint@servertech.com

APAC

Server Technology Intl
37th Floor, Singapore Land
Tower
50 Raffles Place
Singapore, 048623
+65 (0) 6829 7008 Tel
+65 (0) 6234 4574 Fax
salesint@servertech.com