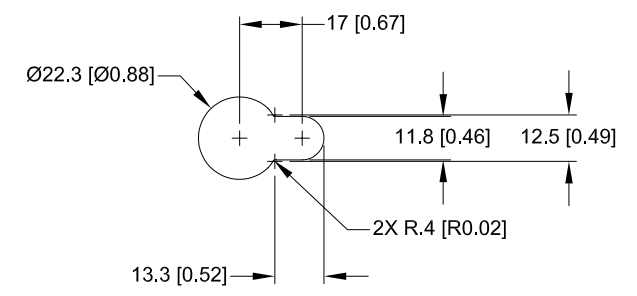
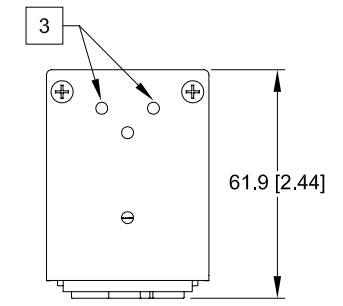
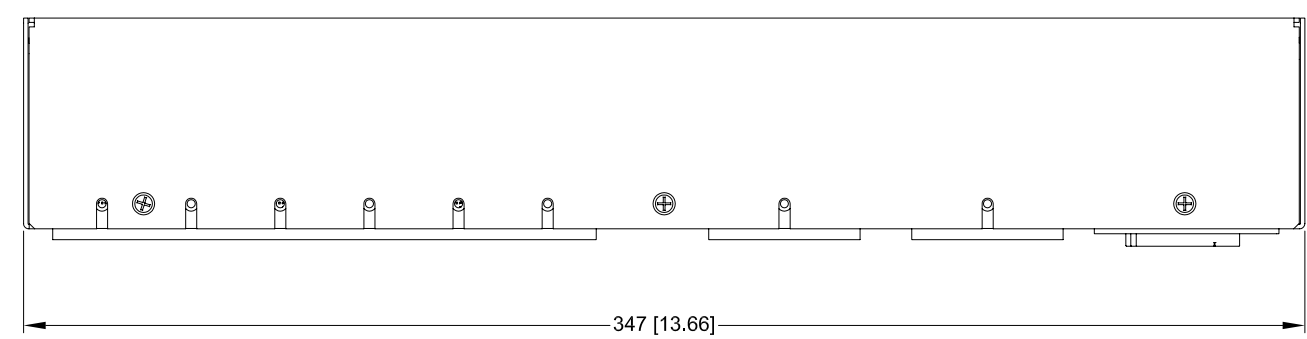
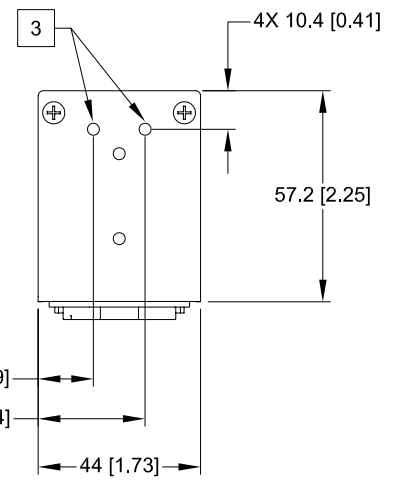
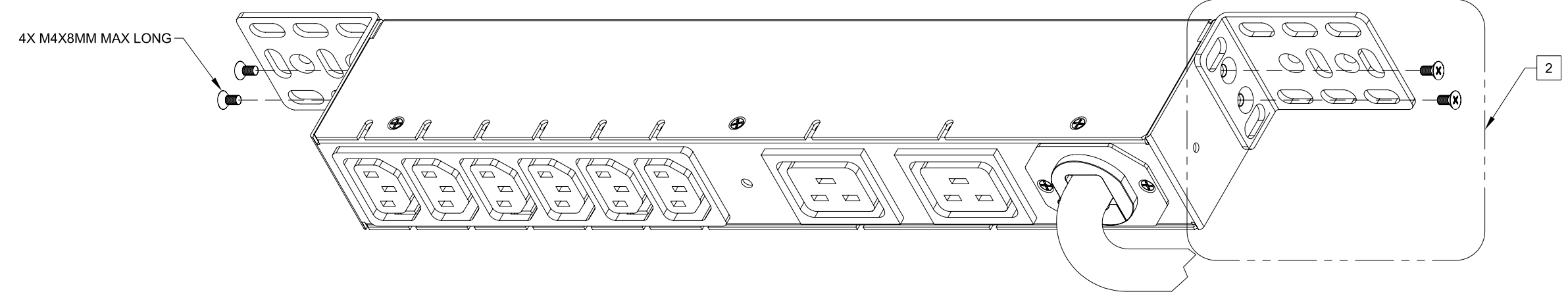
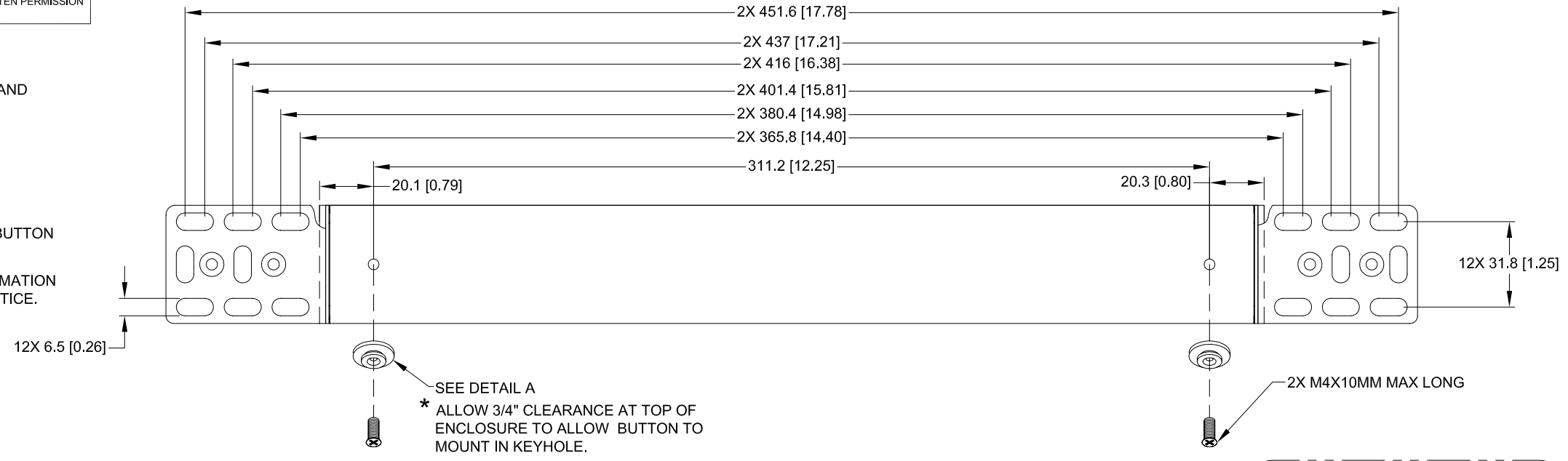


SERVER TECHNOLOGY, INC
 PROPRIETARY INFORMATION

THIS DOCUMENT IS THE SOLE PROPERTY OF SERVER TECHNOLOGY, INC. THE RELEASE OF DATA CONTAINED IN THIS DOCUMENT AND THE REPRODUCTION OF THIS DOCUMENT, IN WHOLE OR IN PART, WITHOUT THE WRITTEN PERMISSION OF SERVER TECHNOLOGY, INC IS PROHIBITED.

REVISIONS			
REV	DESCRIPTION	DATE	DFT/APPR
A	INITIAL DESIGN	04/03/08	GG/MRR

- NOTES:
1. DIMENSIONS ARE IN MILLIMETERS AND [] BRACKETS ARE IN INCHES.
 2. SEE MOUNTING KIT DRAWING #406-0070-9 FOR DETAILS.
 3. USE THESE HOLES TO MOUNT MB-0005-31.
 4. MAXIMUM PANEL THICKNESS FOR BUTTON INTO KEYHOLE PANEL IS 2.3MM.
 5. DIMENSIONS ARE NOMINAL. INFORMATION SUBJECT TO CHANGE WITHOUT NOTICE.



DETAIL-A*
 2X THRU

RoHS COMPLIANT


UNLESS OTHERWISE SPECIFIED
 * INTERPRET DRAWING IAW ASME Y14.100-2000
 * DIMENSIONING & TOLERANCING IAW ASME Y14.5M-1994
 * REMOVE ALL BURRS AND SHARP EDGES, 2 R MAX
 * DIMENSIONS ARE IN MILLIMETERS
 * TOLERANCES ARE: DECIMALS ±.3 ANGLES ±1.0°
 DO NOT SCALE DRAWING

MATERIAL:

FINISH:

VENDOR PART NO:

THIRD ANGLE PROJECTION	
APPROVALS	DATE
DRAWN BY: G.G.	08/28/07
CHECKED BY: M.RAYBURN	04/03/08
APPROVED BY: J. MASKALY	04/03/08
RELEASED BY: J. ANDRADE	04/03/08

SERVER TECHNOLOGY, INC. 

1040 Sandhill Drive Reno, NV 89521

DRAWING TITLE:
**OUTLINE DRAWING
 CB-8V2-A30A/SX MODELS WITH
 MOUNTING BRACKET OPTIONS**

SIZE	CAGE CODE	DWG NO.	REV
D	04V90	412-0330-1	A

SCALE: 1/1 FILE NO: 412-0330-1-3.dwg SHEET 3 OF 4