



US007368830B2

(12) **United States Patent**  
**Cleveland et al.**

(10) **Patent No.:** **US 7,368,830 B2**  
(45) **Date of Patent:** **May 6, 2008**

(54) **POLYPHASE POWER DISTRIBUTION AND MONITORING APPARATUS**

(75) Inventors: **Andrew J. Cleveland**, Reno, NV (US);  
**Carrel W. Ewing**, Reno, NV (US);  
**James P. Maskaly**, Sparks, NV (US)

(73) Assignee: **Server Technology, Inc.**, Reno, NV (US)

(\*) Notice: Subject to any disclaimer, the term of this patent is extended or adjusted under 35 U.S.C. 154(b) by 343 days.

(21) Appl. No.: **10/732,837**

(22) Filed: **Dec. 11, 2003**

(65) **Prior Publication Data**

US 2005/0094336 A1 May 5, 2005

**Related U.S. Application Data**

(63) Continuation-in-part of application No. 10/698,023, filed on Oct. 31, 2003.

(60) Provisional application No. 60/516,671, filed on Oct. 30, 2003.

(51) **Int. Cl.**  
**H02J 3/26** (2006.01)  
**G01R 29/16** (2006.01)

(52) **U.S. Cl.** ..... **307/13**; 361/622; 324/107; 324/114

(58) **Field of Classification Search** ..... 307/13, 307/14, 27, 148, 24, 29, 31, 32; 361/63, 361/64, 622; 324/107, 114

See application file for complete search history.

(56) **References Cited**

**U.S. PATENT DOCUMENTS**

4,528,497 A \* 7/1985 Arato ..... 324/509

4,538,196 A \* 8/1985 Sun et al. .... 361/64  
4,581,705 A \* 4/1986 Gilker et al. .... 702/60  
5,424,903 A 6/1995 Schreiber  
5,619,722 A 4/1997 Lovrenich  
5,748,269 A \* 5/1998 Harris et al. .... 349/58  
6,157,552 A \* 12/2000 Kern et al. .... 363/39  
6,476,729 B1 11/2002 Liu

(Continued)

**FOREIGN PATENT DOCUMENTS**

DE 3800721 C \* 6/1989

(Continued)

**OTHER PUBLICATIONS**

English-language translation of previously-cited EP324376A2 (Kobel et al., Jul. 1989).\*

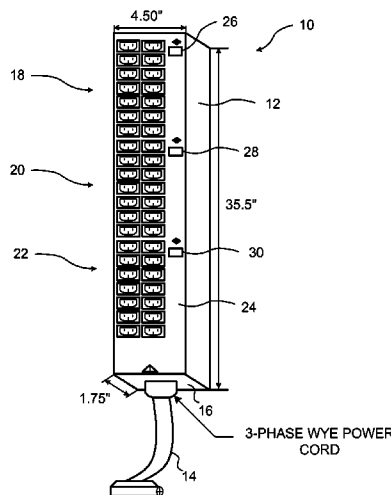
(Continued)

*Primary Examiner*—Michael Sherry  
*Assistant Examiner*—Andrew Deschere  
(74) *Attorney, Agent, or Firm*—Holland & Hart, LLP

(57) **ABSTRACT**

A polyphase power distribution and monitoring apparatus having sets of outputs for each phase of power and monitors for each phase of power disposed in the housing. Each monitor provides a visible display of current for an associated phase of power and an audible alarm for each phase of power if the current exceeds a predetermined value or falls below a predetermined value. In three-phase wye power systems, the apparatus preferably includes a neutral line monitor, including a neutral line current display and audio alarm, for the neutral line of the wye power circuit. The apparatus preferably is lightweight, elongated, portable, and mountable to the side of an electronic equipment rack. It may also include additional power monitoring systems such as network power monitoring tools for remotely monitoring the apparatus.

**19 Claims, 4 Drawing Sheets**



U.S. PATENT DOCUMENTS

6,628,009 B1 \* 9/2003 Chapel ..... 307/14  
7,043,543 B2 5/2006 Ewing et al.  
2002/0002582 A1 1/2002 Ewing et al.

FOREIGN PATENT DOCUMENTS

EP 324376 A2 \* 7/1989

OTHER PUBLICATIONS

A three-phase plugstrip having a single current display and a display button (as described in paragraphs [0011] through [0013] of the present application) was publicly available more than a year before the earliest priority date of the present application, no date.

\* cited by examiner

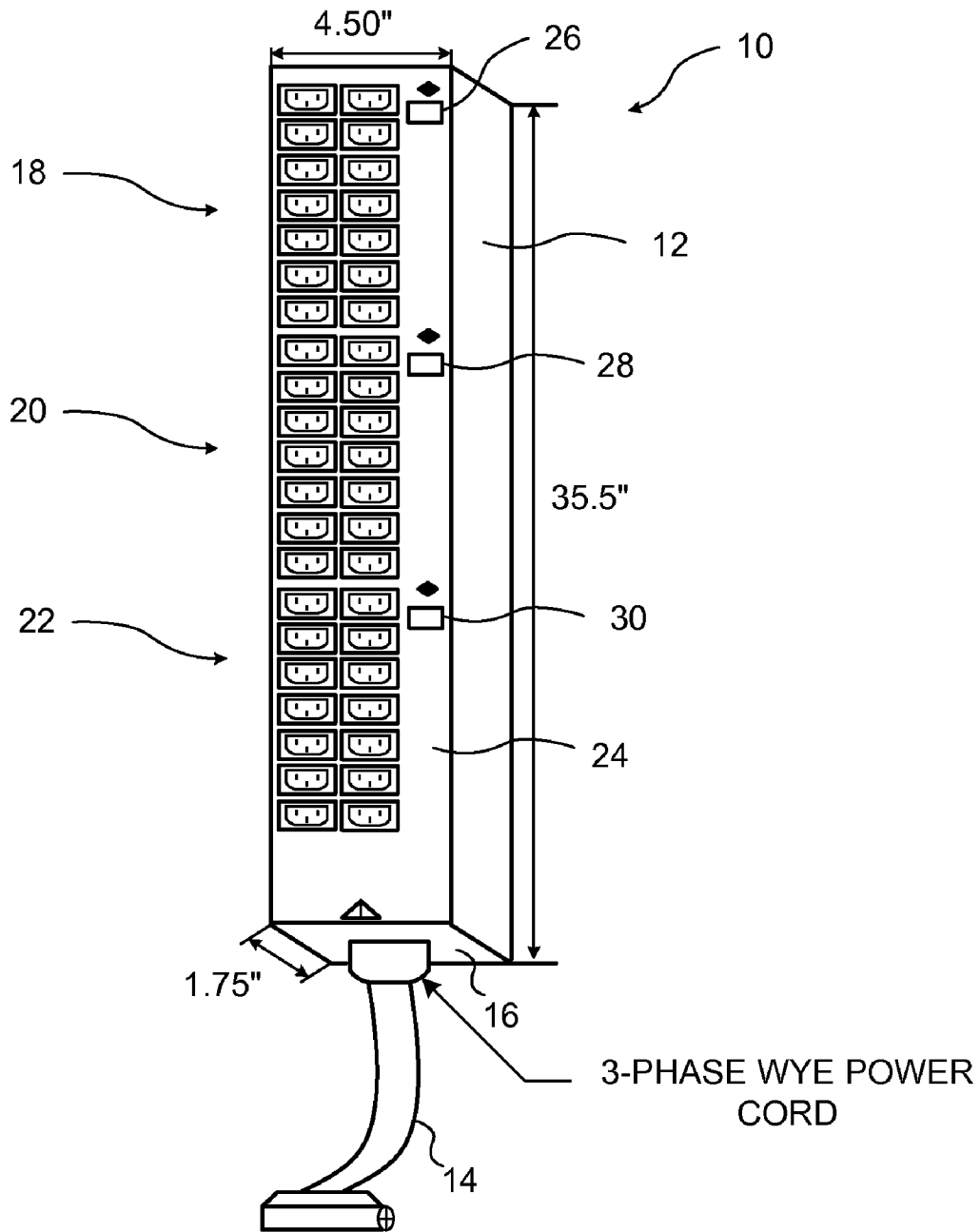


FIG. 1

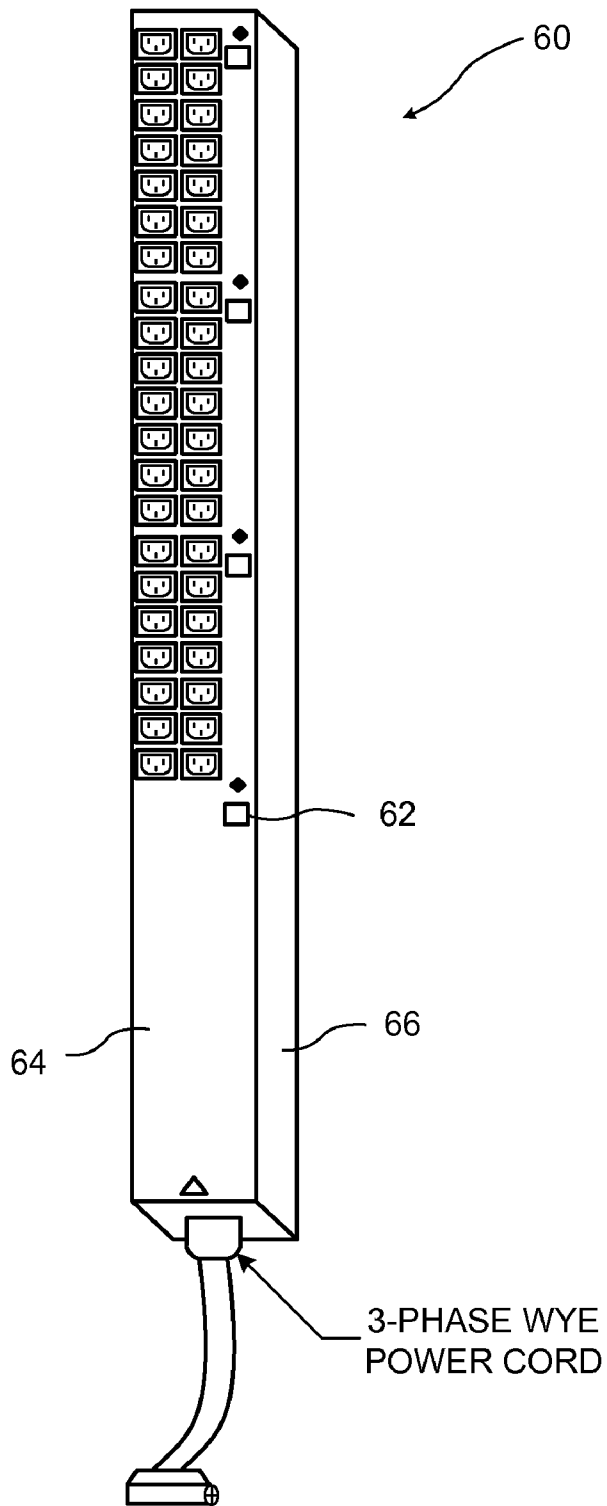


FIG. 2

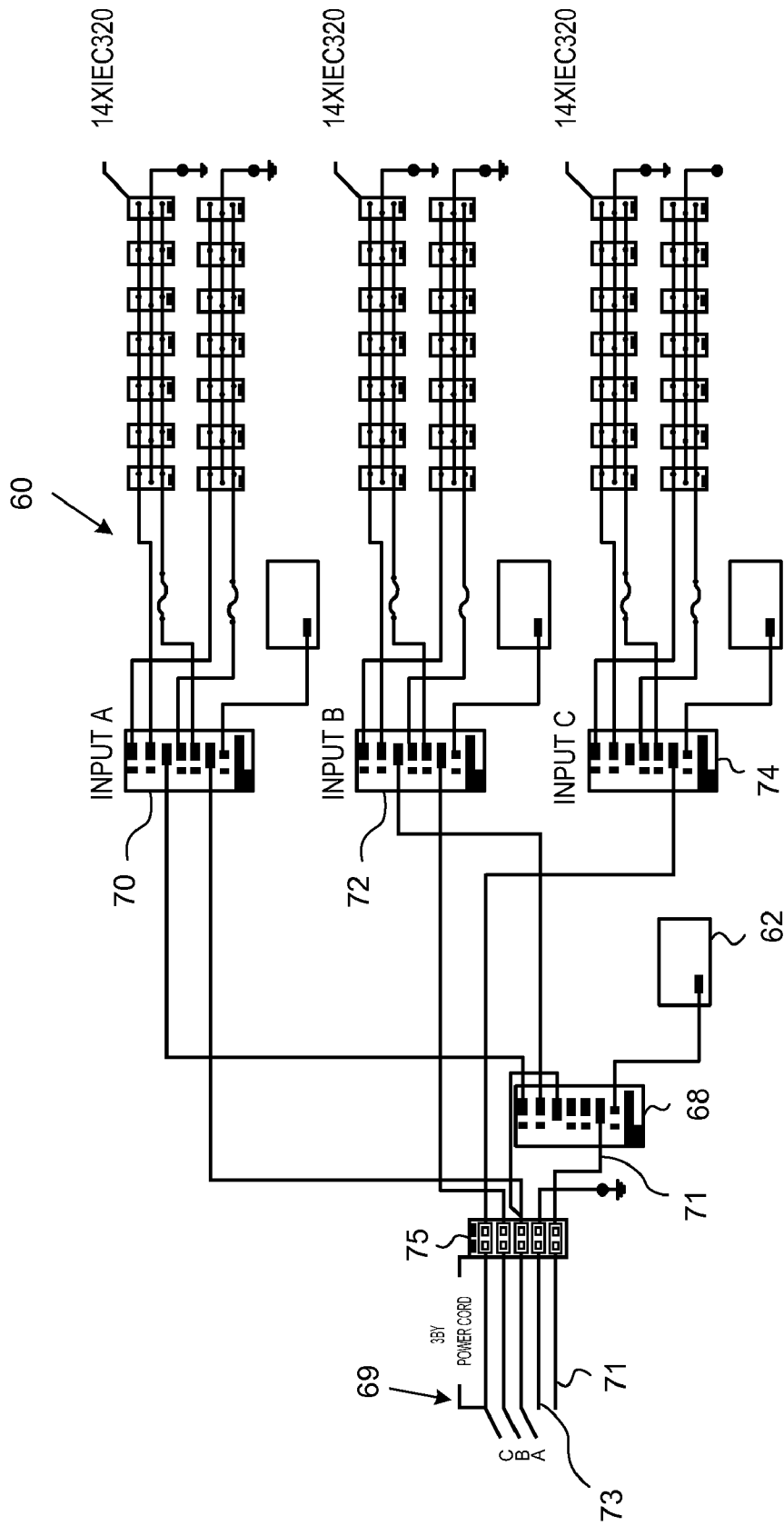


FIG. 3

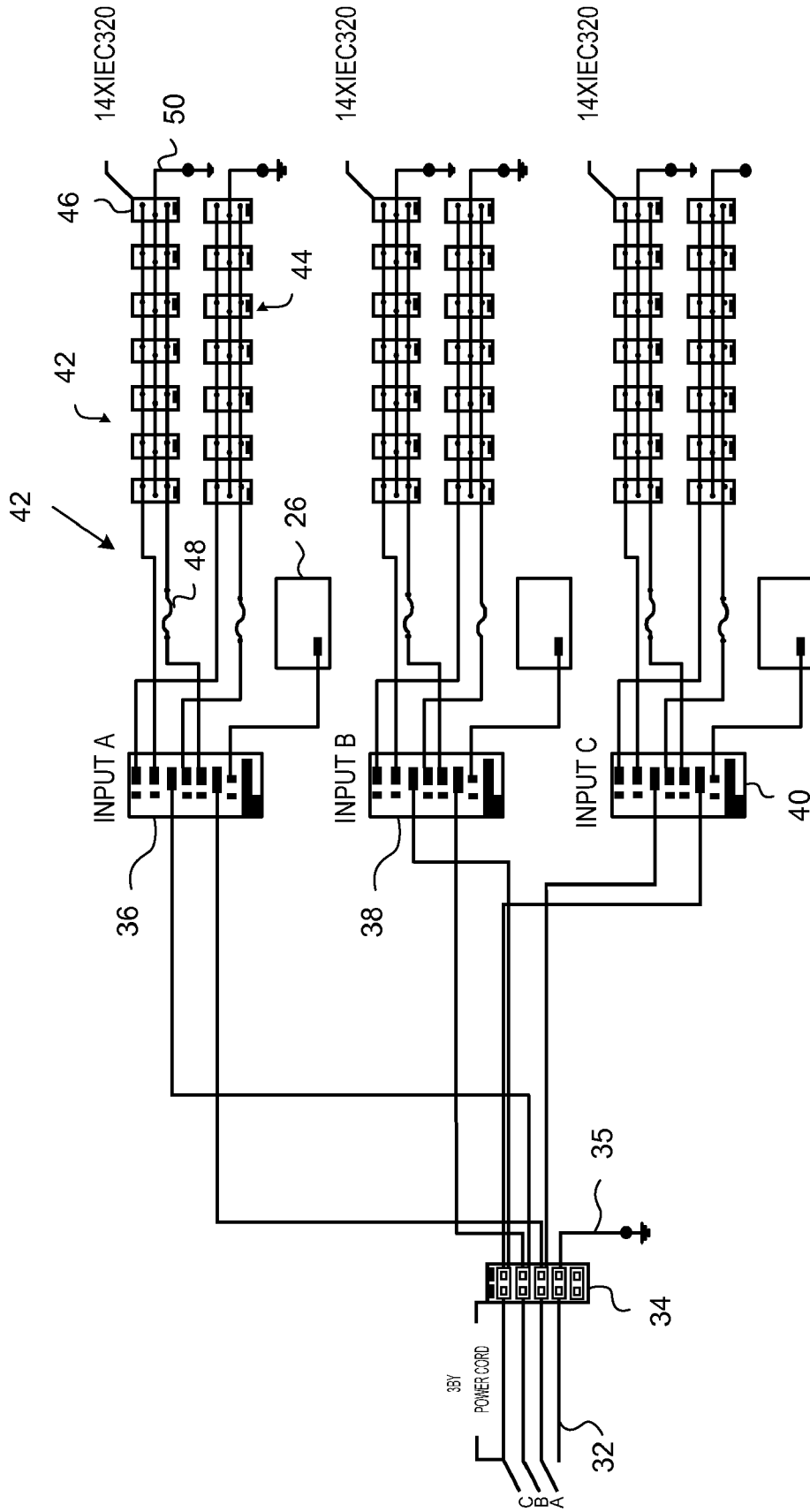


FIG. 4

## POLYPHASE POWER DISTRIBUTION AND MONITORING APPARATUS

This application is a Continuation-In-Part of U.S. patent application Ser. No. 10/698,023 filed Oct. 31, 2003, which claims the benefit of U.S. Provisional Application 60/516,671 filed Oct. 30, 2003.

### FIELD OF THE INVENTION

The present invention relates to power distribution apparatus for the distribution of polyphase alternating current. More particularly, the present invention relates to apparatus for distributing polyphase alternating current and monitoring information relating to polyphase power distributable by the apparatus.

### BACKGROUND

Electric current that reverses periodically, usually many times per second, is called "alternating current." In most public or commercial power distribution networks, electrical current is delivered to a customer or user as alternating current.

Electric current is induced to reverse or alternate periodically by a voltage that reverses or alternates periodically. One complete voltage period, with accompanying current flow in one direction and then the other, is called a cycle. In the United States, 60 cycles per second (also referred to as "60 Hz") is the standard frequency of alternating current in most environments. In Europe, 50 Hz is the standard.

Typically, the graphical form of the level of alternating voltage over a period or cycle is generally sinusoidal. This is because the near sinusoidal form is relatively easy, economical, and efficient to generate, deliver, and utilize.

Power distributed to small businesses or homes is commonly "single phase" or "dual phase" power. In a single phase system, a single alternating voltage is distributed through a two-line connection. In a dual phase system, two alternating voltages are distributed through at least three lines: one neutral line and one other line for each of the two alternating voltages. The time that the voltage on one of these lines is zero and the time that voltage on the second of these lines is zero are separated by a time period equivalent to the time lapse of one half of one cycle. The two voltages are separated in time by a "phase difference"—that is, the sinusoidal form of the voltage on one line leads or lags the sinusoidal form of the voltage on the other line by the amount of the phase differential. The effective voltage between the first phase line and the second phase line is therefore significantly greater than the effective voltage between each of the phase lines and the neutral line. As a result, a three-line, two-phase system may provide, for example, 120 volts in a phase-to-neutral line circuit and 240 volts in a phase-to-phase line circuit.

In large commercial and industrial applications, three phase systems have long been common. In three phase systems, each voltage cycle on each phase line is 120 degrees, or  $\frac{1}{3}$  of a period, out of phase with the voltage cycle on each of the other two phase lines. Three phase systems are used in large commercial and industrial applications because three-phase equipment is smaller in size, weighs less, and is more efficient than single or dual phase equipment. Although three phase circuits are somewhat more complex than single or dual phase circuits, they too weigh less than single phase circuitry for the same loads supported

by the circuitry. Three phase circuits also can provide a wide range of voltages and can be used for single or dual phase loads.

Three phase circuits power is generated by circuits in either of two configurations: (i) a "delta"; or (ii) a "wye" configuration. If one end of each of the legs of a three-phase circuit are centrally connected at a common point and the other ends are connected to three phase lines (one line for each phase), the configuration is called a wye or "Y" connection. If the legs of the three phase circuits are connected instead in series to form a closed loop, with one phase line connected to each junction of two adjacent legs, the configuration is called a delta or "Δ."

One reason that three phase circuits are more complex than typical single phase and dual phase circuits is the need to maintain at least somewhat balanced loads among each of the three phases. One indicator of imbalance is the level of current flowing through each phase line. If the level of current flowing through a phase line is different than that flowing through a different phase line, the load is obviously unbalanced. In a wye connected system, imbalance can also be indicated by current flowing through the neutral line, and this situation can arise when the amount of current flowing through each phase is identical in amplitude but differing in phase due to the nature of the loads served by the lines. Imbalance between the loads can result in damage to the three phase system, can cause excessive wear of components in the system such as the three-phase generator, and can be difficult and costly to correct.

For example, in many industrial three-phase applications, such as computer and communications network applications, three-phase power is supplied to racks of equipment. One common prior art system provides three-phase power to one or more racks via a four line input, providing a line for each voltage phase and a common ground or neutral line. An elongated power distribution plug strip connects to the input and distributes power of differing phases to a plurality of plug strip outputs for the phase. The three-phase plugstrip typically provides three branches of outputs, one branch for each phase of power provided by the three-phase plugstrip. This plugstrip is mountable on or adjacent to a given equipment rack in order to supply three branches single phase power (with each such branch derived from the three-phase power input) to the rack or other equipment in the vicinity.

In order to help ensure that each branch of outputs supplies a cumulative load that is balanced as compared to the cumulative load served by the other branches of outputs, this prior art three-phase plugstrip has included a single current display visible to an operator along the face of the plugstrip in which the outputs are also mounted. The installer or on-site operator or user (collectively the "operator") can use this display to determine the total amount of current flowing through each branch of outputs by physically pushing an associated button mounted on the plugstrip housing. This causes the display to cycle through numerical indications of the total current for each differing phase branch of output. If the current indicated for one phase set (branch) is different than that for another current indicated for a different phase set of outputs, the loads are unbalanced. When this difference becomes too great, the operator is thereby alerted to the need to take corrective action to correct the imbalance.

The applicant has discovered that another problem with this type of prior art system is that it requires the operator to take the time and effort to stop whatever the operator may be doing, turn attention to the plugstrip, and press the display

button on the plugstrip to cycle through and observe the current indicators for the various phases. In the case of a wye connected system, this type of prior art also typically has not provided for display or ready determination of the level of current flowing through the neutral line. As a result, users of such prior art systems may not be receive any indication of imbalance when current flows through the neutral line, indicating an imbalance in fact, but the current level flowing through each phase provides no such indication.

Prior art power supply systems have also included other tools to help determine imbalance among loads supplied by three-phase systems. One such system in common use includes a remote power management feature that remotely monitors the power supply plugstrip through a network connection between the plugstrip and a computer with an associated computer screen. A user at the computer screen can observe information about each phase of power and whether there is an imbalance between phases.

This type of network system, however, requires the user to have access to a computer screen in order to observe information about the level of imbalance, and this type of computer screen is often unavailable or is otherwise inconvenient to inspect at the on-site location of the plugstrip itself. At this location, for example, there may be no space available for a computer screen much less one networked to the plugstrip, and during installation of the plugstrip, the installer may have little time or ability to set-up or inspect a computer screen.

#### BRIEF SUMMARY OF THE INVENTION

The applicant has invented a polyphase alternating current power distribution apparatus providing a plurality of power information monitors secured to the housing of the apparatus. Preferably, the apparatus includes a monitor for each phase of power distributed by the apparatus and for the neutral line in the case of a polyphase system utilizing a neutral line, such as a wye-connected system.

Most preferably, the power information monitors each display the current flowing in an associated phase line or neutral line as applicable. The information monitors also may issue an audible alarm if the current flow in the associated line exceeds an adjustable predetermined level.

Preferably, the housing for the apparatus is elongated, phase power outputs are mounted in clusters along an elongated side of the housing, and for each such cluster, the power information monitor is mounted adjacent the cluster in an elongated side of the housing. The apparatus may be most advantageously mounted vertically adjacent or within a vertical side of an electrical or electronic equipment rack.

Preferably, each of the power information monitors is readily viewable by a user during installation or use of the apparatus. Preferably, the apparatus readily provides information and associated sensory alarms, such as audio alarms, indicative of possible load balance or imbalance between the power phases distributed by the apparatus.

In the preferred apparatus, additional power monitoring features also can be provided, including remote power management and monitoring, audible alarms, or fuses. Most preferably, the power distribution apparatus is relatively lightweight, economical, and easy to manufacture, install, and use.

There are additional novel and inventive aspects of the preferred embodiments. They will become apparent as the specification proceeds. In this regard, it is to be understood that the scope of the invention is to be measured by the

claims as issued and not whether any given subject matter provides any or all features recited this Brief Summary of the Invention.

#### BRIEF DESCRIPTION OF THE DRAWINGS

The preferred embodiments of the present invention is shown in the accompanying drawing in which:

FIG. 1 is an isometric view of the applicant's preferred three-phase delta power distribution and monitoring apparatus;

FIG. 2 is an isometric view of the applicant's preferred three-phase wye power distribution and monitoring apparatus;

FIG. 3 is schematic wiring diagram of the three-phase wye power distribution and monitoring apparatus of FIG. 2; and

FIG. 4 is a schematic wiring diagram of the three-phase delta power distribution and monitoring apparatus of FIG. 1.

In the following specification, certain spatially identifying terms are used, such as the term "vertical." It is to understood that this terminology is used to identify the orientation of the element with respect to electrical or electronic equipment racks, which typically are mounted vertically with respect to a floor in room. These types of terms do not by themselves, however, require any absolute orientation in space.

#### DETAILED DESCRIPTION OF THE PREFERRED EMBODIMENTS

With reference to FIG. 1, the preferred three-phase delta power distribution and monitoring apparatus, generally 10, has an elongated steel housing 12, a three-phase power input cord 14 penetrating one end 16 of the housing 12, three sets of power output plug receptacles, generally 18, 20, and 22 on an elongated faceplate side 24 of the housing 12, and, adjacent each set of power output plug receptacles 18, 20, and 22, an associated phase line current display 26, 28, 30 respectively. In the preferred embodiment of FIG. 1, the housing 12 measures 35.5 inches long, by 4.5 inches wide, by 1.75 inches deep.

The entire power distribution and monitoring apparatus 10 weighs twenty-one to twenty-three lbs. depending on a length of a power cord and is easily transported and vertically mounted on an associated RETMA electronic equipment rack (not shown). In the preferred embodiment, the housing 10 can include fasteners and fastener passages (not shown) in order to secure the housing 10 to a RETMA rack.

Referring now to FIG. 4, the three-phase power input cord 14 (not shown in FIG. 4) has four lines: line A, line B, and line C, and power ground 32. These four lines A,B,C, 32 all terminate in a terminal block 34. The power ground 32 is, in turn, grounded 35 to the housing or enclosure 12 (not shown in FIG. 4).

Three power supplies 36, 38, 40 are connected to the terminal block 34. The power supply for phase A (36) is connected through terminal block 34 to line A and line B. The power supply for phase B (38) is connected through terminal block 34 to Line B and Line C. In turn, the power supply for phase C (40) is connected through terminal block 34 to Line C and Line A. The phase A power supply 36 therefore receives phase A to phase B voltage; the phase B power supply 38 receives phase B to phase C voltage; and the phase C power supply 40 receives phase C to phase A voltage.

5

Each power supply, e.g., A (36), provides its received phase-to-phase voltage to two associated sub-set or branches 42, 44 of seven power output plug receptacles, e.g., 46. Each such branch, e.g., 42, includes a fuse, e.g., 48, in the line to protect the branch from shorts and over-current conditions at or through associated branch outputs or outlets, e.g., 46. Each such outlet, e.g., 46, includes an output line 50 grounded to the housing 12 (not shown in FIG. 4). A standard electrical supply input plug (not shown) can then be inserted in any of the output receptacles, e.g., 46, and thereby receive associated phase power, e.g., A, from power supply 36 supporting the output receptacle 46.

Each power supply, e.g., A (36), includes circuitry that converts received phase power to 5 volt direct current ("VDC") and distributes the 5 VDC to an associated digital display module 26. The power supply 36 circuitry also (i) includes AC input current sensing circuitry that senses the magnitude of the total phase A current flowing through the power supply 36 to the fourteen power output receptacles, e.g., 46, supported by the power supply 36, (ii) converts the total phase A current magnitude to an 0-5 VDC analog signal proportional to the RMS value of such total phase A current magnitude, and (iii) transmits the 0-5 VDC analog signal to the digital display module 26. Each power supply 36 also provides AC power distribution and AC to DC power conversion for powering system logic circuits.

The digital display module 26 thereby displays the RMS phase A to phase B current value so that this value is visible to a user viewing the display module 26 on the housing 12. The digital display module 26 also includes an audio alarm and generates an audible alarm for over current instances such as when the current value exceeds a preset level. In the preferred embodiment, the audio alarm is set to trigger, via jumpers set at the factory, at 20 or 30 amps and for overload, with a differing audio alarm at 31 amps. Each digital display module 26 converts the 0-5 VDC analog signal to a signal proportional to the RMS value of the AC phase current and displays the phase current on a 2-digit digital LED display.

With reference now to FIG. 2, the preferred three-phase wye power distribution and monitoring apparatus, generally 60, is configured much like the delta power distribution and monitoring apparatus of FIG. 1. The wye apparatus 60, however, also includes a neutral line current display and alarm 62 mounted in the elongated faceplate 64 on the housing or enclosure 66 and, as shown in FIG. 3, includes a neutral power supply 68, a three-phase wye power input cord, 69, and differing wiring among these components and the three power supplies: A (70), B (72), and C (74).

In this wye embodiment 60, the power input cord 69 has phase A, B, and C lines, a neutral line 71, and ground line 73. The ground line 73 is grounded to the housing and the neutral line 71 is connected through the terminal block 75 to the neutral power supply 68. Power supply A (70) is connected through terminal block 75 to line A and, through the neutral power supply 68, to the neutral line 71. Power supply B (72) is connected through terminal block 75 to Line B and, through the neutral power supply 68, to the neutral line 71. In turn, power supply C (74) is connected through terminal block 75 to Line C and, through the neutral power supply 68, to the neutral line 71. Power supply A (70) therefore receives phase A to neutral voltage; power supply B (72) receives phase B to neutral voltage; and power supply C (74) receives phase C to neutral voltage.

The neutral power supply 68 also is connected through the terminal block 75 to the phase A line. The neutral power supply 68 includes circuitry that converts received phase A power to 5 volt direct current ("VDC") and distributes the 5

6

VDC to an associated neutral line digital display module 62. The power supply 68 circuitry also (i) senses the magnitude of the total neutral line current if any net neutral line current exists (in a perfectly balanced system, there is no net current in the neutral line), (ii) converts the neutral line current magnitude to a 0-5 VDC analog signal representing the RMS of such neutral current magnitude, and (iii) transmits the analog signal to the neutral line digital display module 62.

The digital display module 62 thereby displays the neutral line current value so that this value is visible to a user viewing the neutral line display module 62 on the housing faceplate 64. The neutral line digital display module 62 also includes an audio alarm and generates an audible alarm when the current value exceeds a preset level, as describe above. Alternatively or in addition, the digital display module 62 can include a differing sensory alarm when the current exceeds or falls below a predetermined level or range of values.

In the preferred embodiments, each power supply, e.g., 70, includes current distribution lines, a module for converting alternating current to direct current, a current sensing transducer, and a processor for converting analog output from the current sensing transducer to a digital output. Each digital display module, e.g., 62, includes a two digit LED indicator, an alarm buzzer, and a processor that generates an alarm when the current exceeds the factor pre-set level as explained above. These power supply 70 and digital display module 62 components are assembled in a fashion well known to those skilled in the art.

Both the delta and the wye power distribution and monitoring apparatus of FIGS. 1-4 may be adapted to provide or be implemented in conjunction with remote power management and reporting systems. Apparatus and systems for doing so are disclosed in references such as: (i) U.S. Pat. No. 5,506,573, entitled Remote Sensor and Method for Detecting the On/Off Status of An Automatically Controlled Appliance, issued to Ewing et al. on Apr. 9, 1996; (ii) U.S. Pat. No. 5,949,974, entitled System for Reading the Status and for Controlling the Power Supplies of Appliances Connected to Computer Networks, issued to Ewing et al. on Sep. 7, 1999; and (iii) the applicant's U.S. co-pending application entitled "Network Remote Power Management Outlet Strip," Ser. No. 10/313,314, filed Dec. 6, 2002, the disclosures of all of which references are hereby incorporated herein by reference in their entireties.

It can thus be seen that the applicant has provided a polyphase (and in the preferred embodiments, three-phase) power distribution and monitoring apparatus that preferably provide a clear but self-contained, unobtrusive, and space-saving power monitor for each of multiple power phases and, if desired, the neutral line in the case of a wye connected three-phase power supply system. In this regard, in this specification the term "monitor" means a current display or other sensory indicator, such as an audible or other sensory alarm, mountable on or to the housing of the power distribution and monitoring apparatus. The preferred embodiments also are relatively portable, lightweight, slim, economical, and easy to manufacture, install, use, and maneuver.

One skilled in the art may readily adapt other polyphase power supply systems to provide novel features of the types disclosed herein, such as, for example, on-site current displays and alarms for each phase or other line in the power supply system. The present invention is therefore not necessarily limited to, for example, three-phase systems by the detailed description of preferred embodiments set forth above.

We claim:

1. A method of distributing polyphase alternating current power through a power distribution apparatus comprising a polyphase power input, a plurality of polyphase power outputs, and a plurality of separate power information visual display sections disposed in the power distribution apparatus, comprising:

with at least a first of the plurality of polyphase power outputs, distributing a first power phase received by the polyphase power input;

with at least a second of the plurality of polyphase power outputs, distributing a second power phase received by the polyphase power input;

with at least one of the plurality of separate power information visual display sections disposed in the power distribution apparatus, reporting at the power distribution apparatus power information regarding the first power phase distributed by the at least a first of the plurality of polyphase power outputs; and

with at least a second of the plurality of separate power information visual display sections disposed in the power distribution apparatus, reporting at the power distribution apparatus power information regarding the second power phase distributed by the at least a second of the plurality of polyphase power outputs, the reporting power information regarding the second power phase overlapping with reporting power information regarding the first power phase.

2. The method of claim 1, wherein the reporting at the power distribution apparatus power information regarding the first power phase comprises determining current of the first power phase.

3. The method of claim 1, wherein the reporting at the power distribution apparatus power information regarding the second power phase comprises determining current of the second power phase.

4. The method of claim 1, further comprising, with at least a third of the plurality of polyphase power outputs, distributing a third power phase received by the polyphase power input.

5. The method of claim 4, further comprising, with at least a third of the plurality of power information visual display sections disposed in the power distribution apparatus, reporting at the power distribution apparatus power information regarding the third power phase distributed by the at least a third of the plurality of polyphase power outputs.

6. The method of claim 5, wherein the reporting at the power distribution apparatus power information regarding the third power phase comprises determining current of the third power phase.

7. The method of claim 1, further comprising, with at least one of the plurality of power information visual display sections disposed in the power distribution apparatus, providing a sensory alarm, whereby a human in the vicinity of the power distribution apparatus may receive sensory stimulation from the sensory alarm.

8. A method of polyphase power distribution through a three-phase delta power distribution and monitoring apparatus comprising a plurality of input lines, a power ground, a plurality of power supplies, a plurality of output plug receptacles, and a digital visual display module disposed in the three-phase delta power distribution and monitoring apparatus, the method comprising:

transmitting through each of the plurality of power supplies phase power from at least one of the plurality of input lines and to at least one of the plurality of output plug receptacles;

sensing in each of the plurality of power supplies a magnitude of the phase power flowing through the power supply;

converting in each of the plurality of power supplies the magnitude of the phase power into a corresponding analog signal representing the magnitude of the phase power flowing through the power supply;

transmitting the analog signals to the digital visual display module disposed in the three-phase delta power distribution and monitoring apparatus, wherein the digital visual display module comprises a plurality of separate visual displays; and

with the plurality of separate visual displays, reporting at the three-phase delta power distribution and monitoring apparatus the analog signals each representing the magnitude of the phase power flowing through the corresponding power supply, the reporting of one of the plurality of separate visual displays overlapping with reporting of at least one other of the plurality of separate visual displays.

9. The method of claim 8, further comprising generating an alarm when the analog signal meets at least one specified criteria.

10. The method of claim 9, wherein generating an alarm comprises generating an audible alarm that can be heard by a user within the vicinity of the three-phase delta power distribution and monitoring apparatus.

11. The method of claim 8, further comprising converting in each of the plurality of power supplies alternating current to direct current.

12. The method of claim 8, wherein the sensing comprises using a current-sensing transducer.

13. The method of claim 12, further comprising converting an analog output from the current-sensing transducer to a digital output.

14. A method of polyphase power distribution through a three-phase wye power distribution and monitoring apparatus comprising a plurality of input lines, a neutral line, a ground line, a plurality of power supplies, a neutral power supply, a plurality of output plug receptacles, and a plurality of separate digital visual display modules disposed in the three-phase wye power distribution and monitoring apparatus, the method comprising:

transmitting through each of the plurality of power supplies and the neutral power supply phase power from at least one of the plurality of input lines and to at least one of the plurality of output plug receptacles;

sensing in each of the plurality of power supplies a magnitude of the phase power flowing through the power supply;

converting in each of the plurality of power supplies the magnitude of a total current in the corresponding input line into an input line analog signal representing the magnitude of the total current in the corresponding input line

sensing in the neutral power supply a magnitude of the phase power flowing through the neutral power supply;

converting in the neutral power supply the magnitude of a total current in the neutral line into a neutral line analog signal representing the magnitude of the total current in the neutral line;

transmitting the neutral line analog signal to one of the plurality of separate digital visual display modules disposed in the three-phase wye power distribution and monitoring apparatus;

9

transmitting each of the input line analog signals to a corresponding one of the plurality of separate digital visual display modules disposed in the three-phase wye power distribution and monitoring apparatus; and with the plurality of separate digital visual display modules, reporting at the three-phase wye power distribution and monitoring apparatus the neutral line analog signal and each of the input line analog signals, the reporting of one of the plurality of separate digital visual display modules overlapping with reporting of at least one other of the plurality of separate digital visual display modules.

15. The method of claim 14, further comprising generating an alarm when the analog signal meets at least one specified criteria.

10

16. The method of claim 15, wherein generating an alarm comprises generating an audible alarm that can be heard by a user within the vicinity of the three-phase delta power distribution and monitoring apparatus.

17. The method of claim 14, further comprising converting in the neutral power supply alternating current to direct current.

18. The method of claim 14, wherein the sensing comprises using a current-sensing transducer.

19. The method of claim 18, further comprising converting an analog output from the current-sensing transducer to a digital output.

\* \* \* \* \*