

8 7 6 5 4 3 2 1

SERVER TECHNOLOGY, INC
 PROPRIETARY INFORMATION

RoHS COMPLIANT

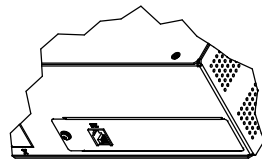
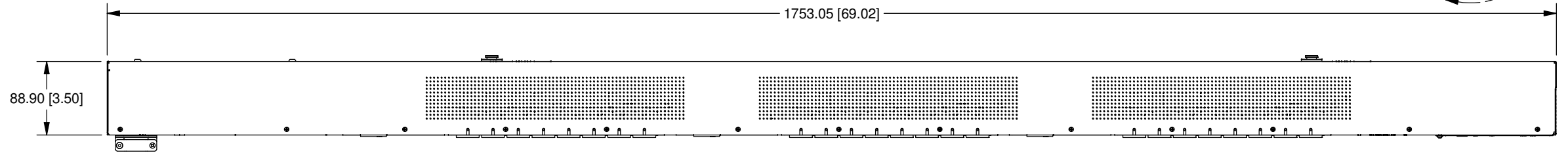
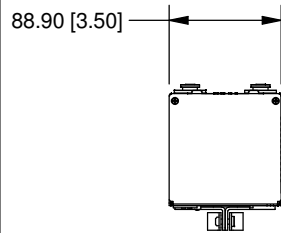
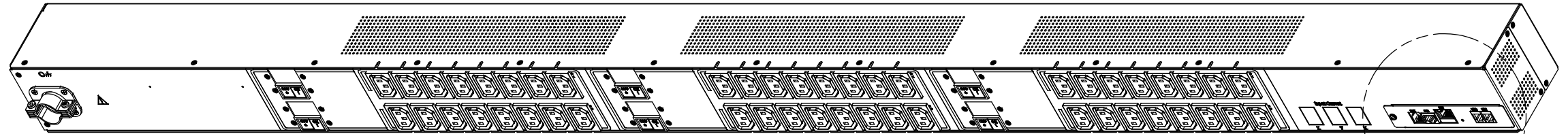
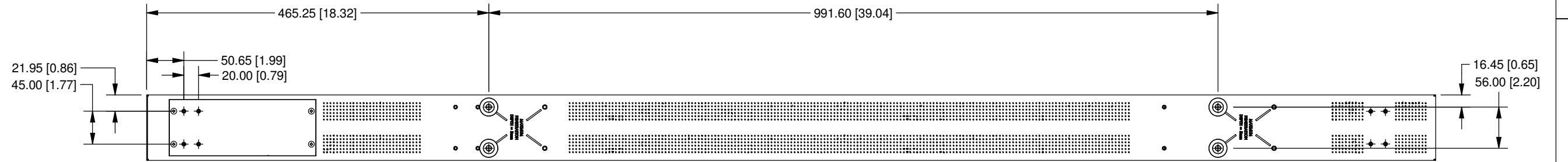
THIS DOCUMENT IS THE SOLE PROPERTY OF SERVER TECHNOLOGY, INC. THE RELEASE OF DATA CONTAINED IN THIS DOCUMENT AND THE REPRODUCTION OF THIS DOCUMENT, IN WHOLE OR IN PART, WITHOUT THE WRITTEN PERMISSION OF SERVER TECHNOLOGY, INC IS PROHIBITED.

THESE COMMODITIES, TECHNOLOGY OR SOFTWARE WERE EXPORTED FROM THE UNITED STATES IN ACCORDANCE WITH THE EXPORT ADMINISTRATION REGULATIONS. DIVERSION CONTRARY TO U.S. LAW IS PROHIBITED.

REVISION HISTORY				
ZONE	REV	DESCRIPTION	DATE	APPROVED
-	1	INITIAL DESIGN	3/1/2011	MB/

NOTES:

1. DIMENSIONS ARE IN MILLIMETERS AND [] ARE IN INCHES.
2. DIMENSIONS ARE NOMINAL. INFORMATION SUBJECT TO CHANGE WITHOUT NOTICE.



DETAIL A
 SCALE 1/5

TOLERANCES (UNLESS OTHERWISE SPECIFIED) LINEAR DIMENSIONS: .X = ± .500 .XX = ± .300 .XXX = ± .130 ANGULAR DIMENSIONS: X = ± 1° X.X = ± .5° X.XX = ± .25°		UNLESS OTHERWISE SPECIFIED * INTERPRET DRAWING IAW ASME Y14.100-2000 * DIMENSIONING & TOLERANCING IAW ASME Y14.5M-2007 * REMOVE ALL BURRS AND SHARP EDGES .2 R MAX * DIMENSIONS ARE IN MILLIMETERS * DIMENSIONAL LIMITS APPLY AFTER PLATING/COATING. DO NOT SCALE DRAWING		THIRD ANGLE PROJECTION 		SERVER TECHNOLOGY, INC. 1040 Sandhill Drive Reno, NV 89521 DRAWING TITLE: OUTLINE DRAWING, SWITCHED V48 C13A 208V 3PH DELTA 60A 69BR, BREAKERED, FRONT/BOTTOM ENTRY	
SYMBOLS (Q#) = CRITICAL DIM. (S) = COSMETIC SURFACE		MATERIAL: FINISH: VENDOR PART NO.:		APPROVALS DRAWN BY: MB CHECKED BY: APPROVED BY: RELEASED BY:		DATE 3/1/2011	
				SIZE B CAGE CODE 04V90 DWG NO. 412-0457-10 REV 1		SCALE: NONE FILE NO: 412-0457-10.idw SHEET 1 OF 3	

8 7 6 5 4 3 2 1

SERVER TECHNOLOGY, INC
 PROPRIETARY INFORMATION

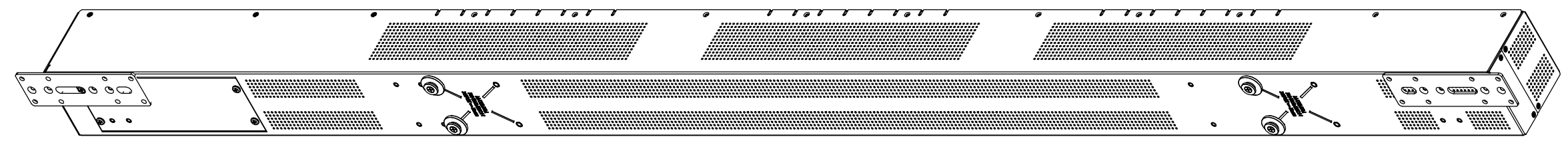
THIS DOCUMENT IS THE SOLE PROPERTY OF SERVER TECHNOLOGY, INC. THE RELEASE OF DATA CONTAINED IN THIS DOCUMENT AND THE REPRODUCTION OF THIS DOCUMENT, IN WHOLE OR IN PART, WITHOUT THE WRITTEN PERMISSION OF SERVER TECHNOLOGY, INC IS PROHIBITED.

THESE COMMODITIES, TECHNOLOGY OR SOFTWARE WERE EXPORTED FROM THE UNITED STATES IN ACCORDANCE WITH THE EXPORT ADMINISTRATION REGULATIONS. DIVERSION CONTRARY TO U.S. LAW IS PROHIBITED.

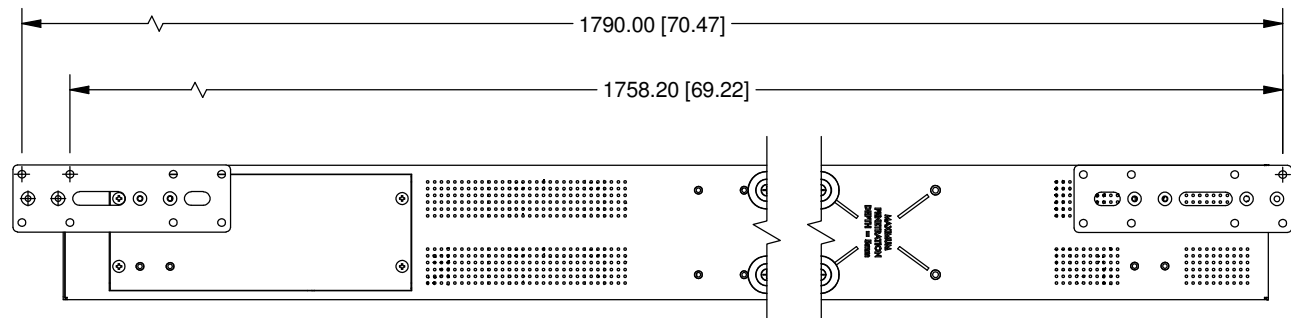
RoHS COMPLIANT

REVISION HISTORY				
ZONE	REV	DESCRIPTION	DATE	APPROVED
-	1	INITIAL DESIGN	3/1/2011	MB/

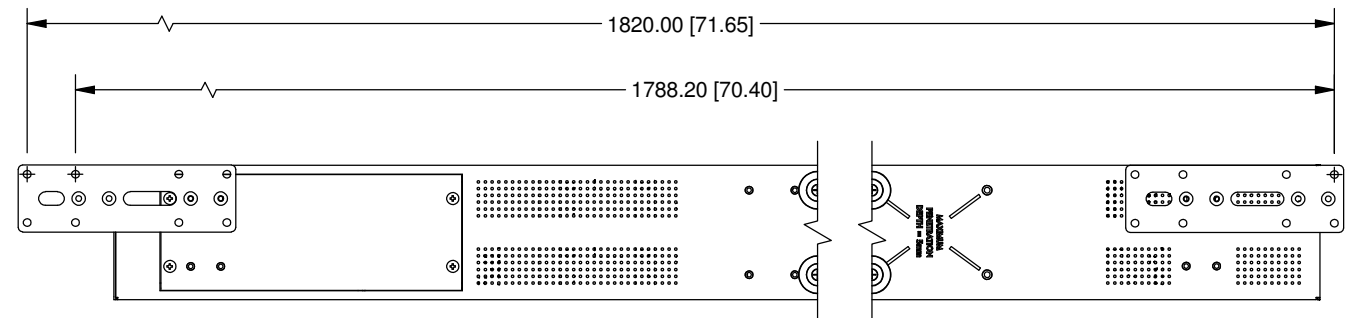
- NOTES:
- DIMENSIONS ARE IN MILLIMETERS AND [] ARE IN INCHES.
 - DIMENSIONS ARE NOMINAL. INFORMATION SUBJECT TO CHANGE WITHOUT NOTICE.
 - MOUNTING BRACKETS CAN BE MOUNTED IN SEVERAL DIFFERENT POSITIONS.
 - MAXIMUM PANEL THICKNESS FOR BUTTON INTO KEYHOLE PANEL IS 2.3mm.



C

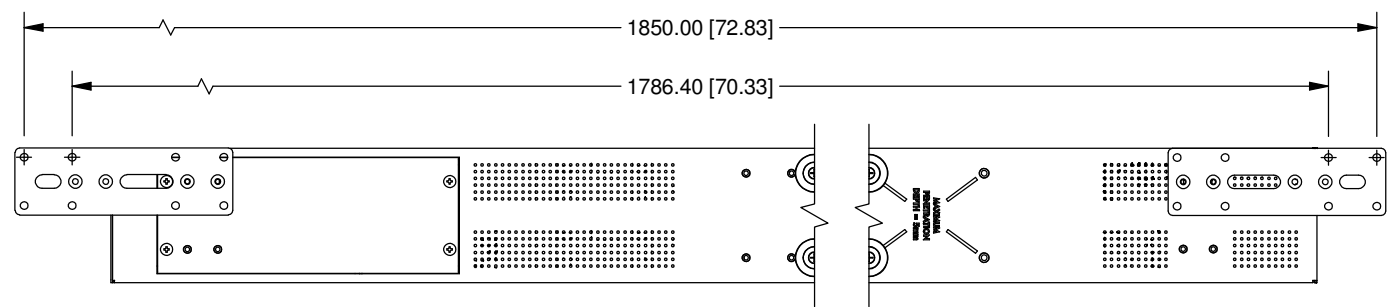


3 FIG. A
 MB-0005-IPT7

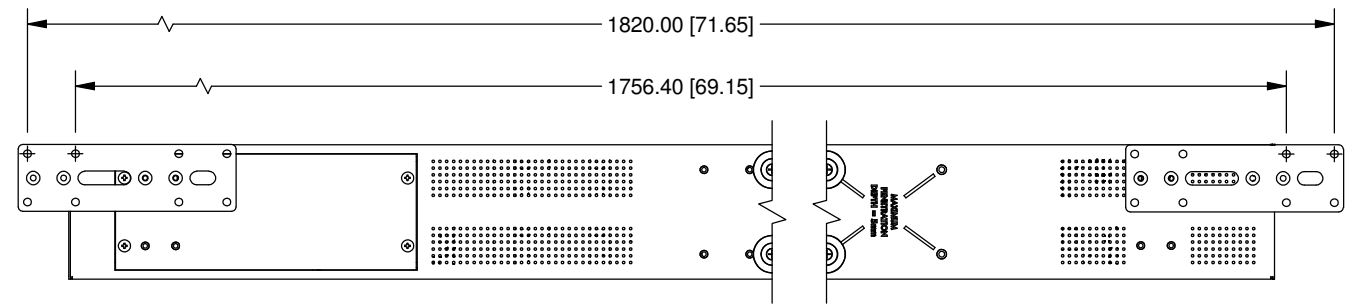


3 FIG. B
 MB-0005-IPT

B

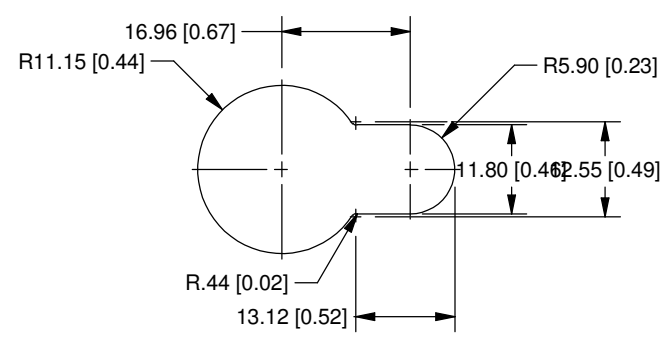


3 FIG. C
 MB-0005-IPT7



3 FIG. D
 MB-0005-IPT7

A



TOLERANCES (UNLESS OTHERWISE SPECIFIED) LINEAR DIMENSIONS: .X = ±.500 .XX = ±.300 .XXX = ±.130 ANGULAR DIMENSIONS: X = ±1° XX = ±.5° XXX = ±.25°	UNLESS OTHERWISE SPECIFIED * INTERPRET DRAWING IAW ASME Y14.100-2000 * DIMENSIONING & TOLERANCING IAW ASME Y14.5M-2007 * REMOVE ALL BURRS AND SHARP EDGES .2 R MAX * DIMENSIONS ARE IN MILLIMETERS * DIMENSIONAL LIMITS APPLY AFTER PLATING/COATING. DO NOT SCALE DRAWING	THIRD ANGLE PROJECTION 	
		APPROVALS DRAWN BY: MB CHECKED BY: APPROVED BY: RELEASED BY:	DATE 3/1/2011
SYMBOLS (Q#) = CRITICAL DIM. (S) = COSMETIC SURFACE	MATERIAL: FINISH: VENDOR PART NO:		

SERVER TECHNOLOGY, INC.

1040 Sandhill Drive Reno, NV 89521

DRAWING TITLE:
**OUTLINE DRAWING, SWITCHED V48 C13A
 208V 3PH DELTA 60A 69BR,
 BREAKERED, FRONT/BOTTOM ENTRY**

SIZE B	CAGE CODE 04V90	DWG NO. 412-0457-10	REV 1
SCALE: NONE		FILE NO: 412-0457-10.idw	SHEET 2 OF 3

SERVER TECHNOLOGY, INC
 PROPRIETARY INFORMATION

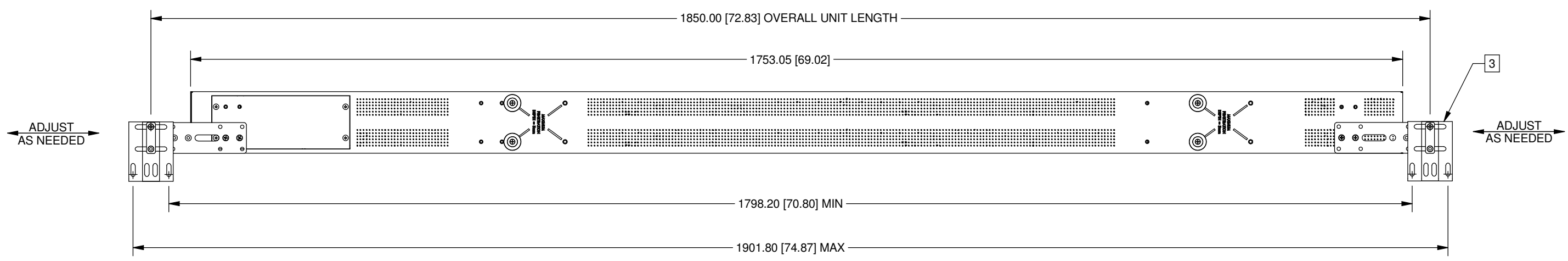
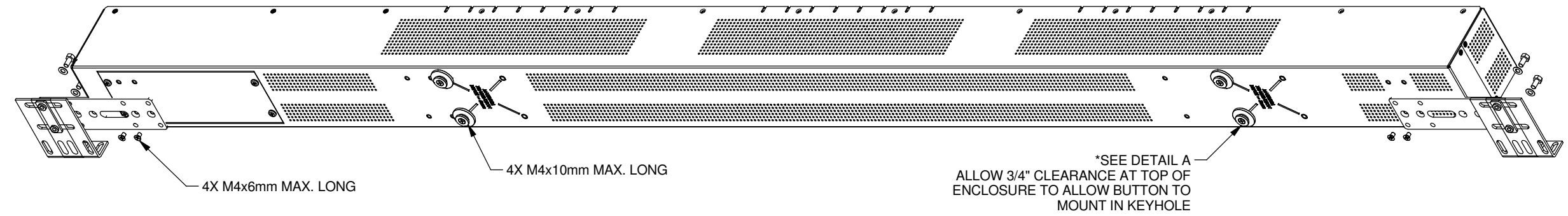
THIS DOCUMENT IS THE SOLE PROPERTY OF SERVER TECHNOLOGY, INC. THE RELEASE OF DATA CONTAINED IN THIS DOCUMENT AND THE REPRODUCTION OF THIS DOCUMENT, IN WHOLE OR IN PART, WITHOUT THE WRITTEN PERMISSION OF SERVER TECHNOLOGY, INC IS PROHIBITED.

THESE COMMODITIES, TECHNOLOGY OR SOFTWARE WERE EXPORTED FROM THE UNITED STATES IN ACCORDANCE WITH THE EXPORT ADMINISTRATION REGULATIONS. DIVERSION CONTRARY TO U.S. LAW IS PROHIBITED.

RoHS COMPLIANT

REVISION HISTORY				
ZONE	REV	DESCRIPTION	DATE	APPROVED
-	1	INITIAL DESIGN	3/1/2011	MB/

- NOTES:
- DIMENSIONS ARE IN MILLIMETERS AND [] ARE IN INCHES.
 - DIMENSIONS ARE NOMINAL. INFORMATION SUBJECT TO CHANGE WITHOUT NOTICE.
 - HIDDEN BRACKETS SHOWN ARE DIFFERENT OPTIONS FOR MOUNTING.
 - MAXIMUM PANEL THICKNESS FOR BUTTON INTO KEYHOLE PANEL IS 2.3mm.



<p>TOLERANCES (UNLESS OTHERWISE SPECIFIED) LINEAR DIMENSIONS: .X = ± .500 .XX = ± .300 .XXX = ± .130</p> <p>ANGULAR DIMENSIONS: X = ± 1° XX = ± .5° XXX = ± .25°</p> <p>SYMBOLS (Q#) = CRITICAL DIM. (S) = COSMETIC SURFACE</p>	<p>UNLESS OTHERWISE SPECIFIED * INTERPRET DRAWING IAW ASME Y14.100-2000 * DIMENSIONING & TOLERANCING IAW ASME Y14.5M-2007 * REMOVE ALL BURRS AND SHARP EDGES .2 R MAX * DIMENSIONS ARE IN MILLIMETERS * DIMENSIONAL LIMITS APPLY AFTER PLATING/COATING. DO NOT SCALE DRAWING</p>	<p>THIRD ANGLE PROJECTION</p>	<p>SERVER TECHNOLOGY, INC.</p> <p>1040 Sandhill Drive Reno, NV 89521</p> <p>DRAWING TITLE: OUTLINE DRAWING, SWITCHED V48 C13A 208V 3PH DELTA 60A 69BR, BREAKERED, FRONT/BOTTOM ENTRY</p>	
	<p>MATERIAL:</p>	<p>APPROVALS</p> <p>DRAWN BY: MB</p> <p>CHECKED BY:</p> <p>APPROVED BY:</p> <p>RELEASED BY:</p>		<p>DATE</p> <p>3/1/2011</p>
	<p>FINISH:</p>	<p>VENDOR PART NO:</p>		<p>SIZE B</p> <p>CAGE CODE 04V90</p> <p>DWG NO. 412-0457-10</p> <p>REV 1</p>
	<p>SCALE: NONE</p> <p>FILE NO: 412-0457-10.idw</p> <p>SHEET 3 OF 3</p>			