

8

7

6

5

4

3

2

1

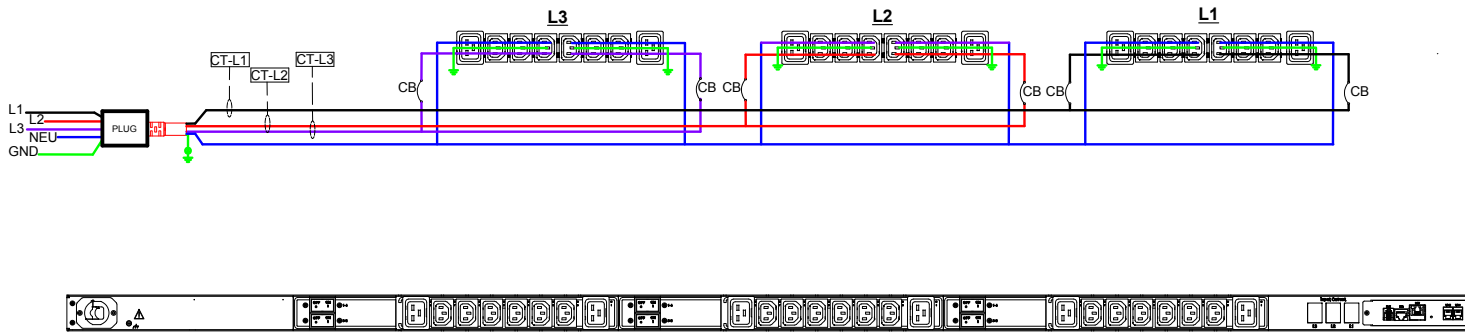
SERVER TECHNOLOGY, INC
 PROPRIETARY INFORMATION

THIS DOCUMENT IS THE SOLE PROPERTY OF SERVER TECHNOLOGY, INC. THE RELEASE OF DATA CONTAINED IN THIS DOCUMENT AND THE REPRODUCTION OF THIS DOCUMENT, IN WHOLE OR IN PART, WITHOUT THE WRITTEN PERMISSION OF SERVER TECHNOLOGY, INC IS PROHIBITED.

THESE COMMODITIES, TECHNOLOGY OR SOFTWARE WERE EXPORTED FROM THE UNITED STATES IN ACCORDANCE WITH THE EXPORT ADMINISTRATION REGULATIONS. DIVERSION CONTRARY TO U.S. LAW IS PROHIBITED.

RoHS COMPLIANT

REVISION HISTORY				
ZONE	REV	DESCRIPTION	DATE	APPROVED
-	1	INITIAL DESIGN	12/16/2010	MAR/



ISO VIEW

Part Number	Expansion	Input	Output	Output Rating North America	GS	Outlet: North America	GS	Outlet Type	Branch Circuit: North America / GS	Phase: North America / GS
Master		Rating, North America	GS							
CW-24V415A1	CX-24V415A1	230/400V 3W+N+PE, 50/60Hz; 16A	IEC 60309 16A	230V, 50/60Hz; 48A		6xC19 16A each, 18xC13 10A each	IEC 60320 C13 / C19	/L1a, L1b, L2a, L2b, L3a, L3b 16A	/L1, L2, L3 16A	
CW-24V32415A1	CX-24V32415A1	230/400V 3W+N+PE, 50/60Hz; 32A	IEC 60309 32A	230V, 50/60Hz; 96A		6xC19 16A each, 18xC13 10A each	IEC 60320 C13 / C19	/L1a, L1b, L2a, L2b, L3a, L3b 16A	/L1, L2, L3 32A	
CW-24V52415A1	CX-24V52415A1	240/415V 3W+N+PE, 50/60Hz; 16A	NEMA 122-20P	240V, 50/60Hz; 48A		6xC19 16A each, 18xC13 12A each	IEC 60320 C13 / C19	L1a, L1b, L2a, L2b, L3a, L3b 20A /	L1, L2, L3 16A /	
CW-24V53415A1	CX-24V53415A1	240/415V 3W+N+PE, 50/60Hz; 16A	IEC 60309 16A	240V, 50/60Hz; 48A		6xC19 16A each, 18xC13 12A each	IEC 60320 C13 / C19	L1a, L1b, L2a, L2b, L3a, L3b 20A /	L1, L2, L3 16A /	
CW-24V54415A1	CX-24V54415A1	240/415V 3W+N+PE, 50/60Hz; 24A	IEC 60309 24A	240V, 50/60Hz; 72A		6xC19 16A each, 18xC13 12A each	IEC 60320 C13 / C19	L1a, L1b, L2a, L2b, L3a, L3b 20A /	L1, L2, L3 24A /	
CW-24V52415A1	CX-24V52415A1	240/415V 3W+N+PE, 50/60Hz; 24A	NEMA 122-30P	240V, 50/60Hz; 72A		6xC19 16A each, 18xC13 12A each	IEC 60320 C13 / C19	L1a, L1b, L2a, L2b, L3a, L3b 20A /	L1, L2, L3 24A /	

TOLERANCES (UNLESS OTHERWISE SPECIFIED)
 LINEAR DIMENSIONS:
 .X = ± .500
 .XX = ± .300
 .XXX = ± .150

ANGULAR DIMENSIONS:
 X = ± 1°
 XX = ± 5°
 XXX = ± 25°

SYMBOLS
 (Q#) = CRITICAL DIM.
 (S) = COSMETIC SURFACE

UNLESS OTHERWISE SPECIFIED
 * INTERPRET DRAWING IAW ASME Y14.100-2000
 * DIMENSIONING & TOLERANCING IAW ASME Y14.5M-2007
 * REMOVE ALL BURRS AND SHARP EDGES, 2/R MAX.
 * DIMENSIONS ARE IN MILLIMETERS
 * DIMENSIONAL LIMITS APPLY AFTER PLATING/COATING.
 DO NOT SCALE DRAWING

THIRD ANGLE PROJECTION

APPROVALS

DRAWN BY: mramsey	DATE 12/16/2010
CHECKED BY: MAR/JM	DATE 12/20/2010
APPROVED BY: MAR/JM	DATE 12/20/2010
RELEASED BY: MAR/JM	DATE 12/20/2010

MATERIAL:
FINISH:
VENDOR PART NO:

SERVER TECHNOLOGY, INC.

1040 Sandhill Drive Reno, NV 89521

DRAWING TITLE:
SWITCHED CDU MODEL #CW/CX-24V4, 380/415V WIRING DIAGRAM

SIZE B	CAGE CODE 04V90	DWG NO. 495-0375-39	REV 1
SCALE NONE	FILE NO. 495-0375-39.idw	SHEET 1	OF 1

8

7

6

5

4

3

2

1