

SERVER TECHNOLOGY, INC.
PROPRIETARY INFORMATION

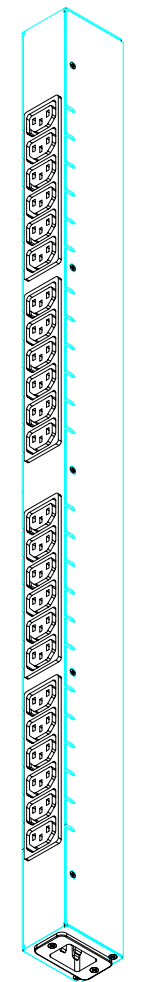
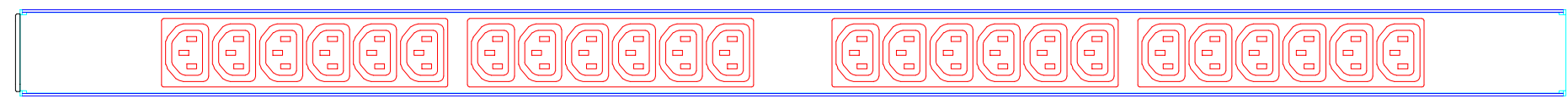
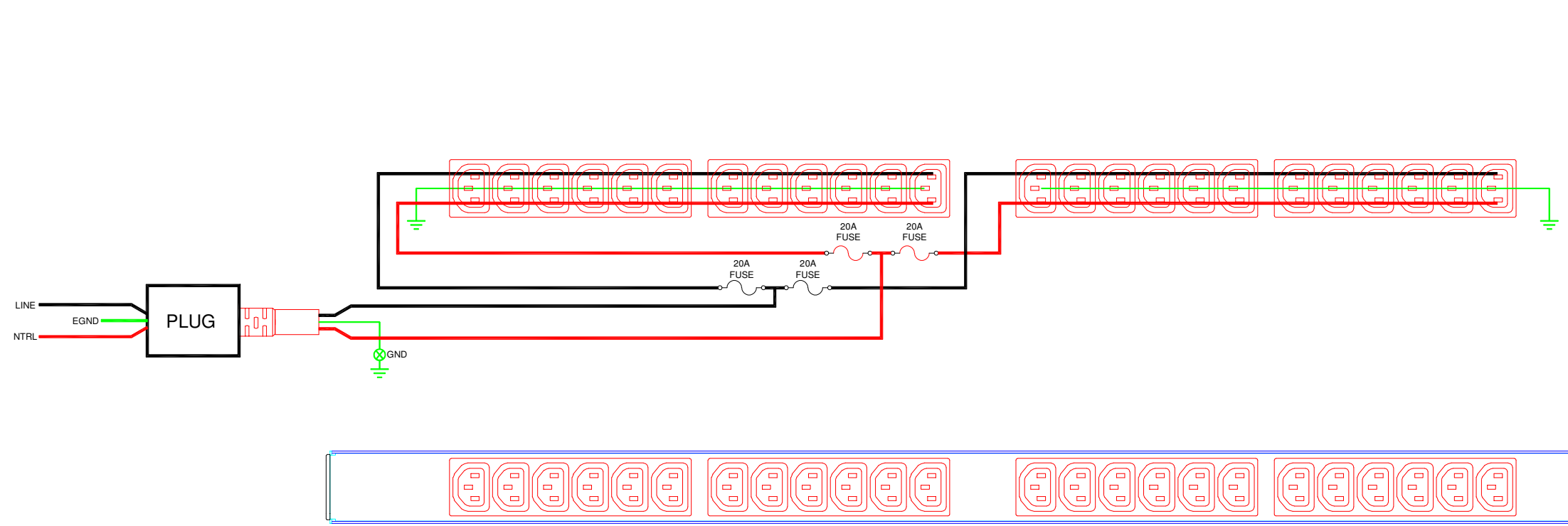
THIS DOCUMENT IS THE SOLE PROPERTY OF SERVER TECHNOLOGY, INC. THE RELEASE OF DATA CONTAINED IN THIS DOCUMENT AND THE REPRODUCTION OF THIS DOCUMENT, IN WHOLE OR IN PART, WITHOUT THE WRITTEN PERMISSION OF SERVER TECHNOLOGY, INC IS PROHIBITED.

THESE COMMODITIES, TECHNOLOGY OR SOFTWARE WERE EXPORTED FROM THE UNITED STATES IN ACCORDANCE WITH THE EXPORT ADMINISTRATION REGULATIONS. DIVERSION CONTRARY TO U.S. LAW IS PROHIBITED.

RoHS COMPLIANT

REV		DESCRIPTION	DATE	DFT/APPR
1		INITIAL DESIGN	08/04/2010	MAR/

NOTES:



ISO VIEW

Part Number	Input			Output					
	Model	Rating, North America	PSE Japan	Input Type	Output Rating North America	PSE Japan	Outlet: North America /PSE	Outlet Type	Branch Circuit: North America /PSE
CB-24V2-L630		208-240V, 50/60Hz; 24A	200-240V, 50/60Hz; 30A	NEMA L6-30P	208-240V, 50/60Hz; ≤24A	200-240V, 50/60Hz; ≤30A	≤12A/≤15A	IEC 60320 C13	≤16A/≤20A

TOLERANCES (UNLESS OTHERWISE SPECIFIED) LINEAR DIMENSIONS: .X = ± .500 .XX = ± .300 .XXX = ± .130 ANGULAR DIMENSIONS: X.X = ± 5° X.XX = ± .25° SYMBOLS (Q#) = CRITICAL DIM. (S) = COSMETIC SURFACE	UNLESS OTHERWISE SPECIFIED * INTERPRET DRAWING IAW ASME Y14.100-2000 * DIMENSIONING & TOLERANCING IAW ASME Y14.5M-1994 * REMOVE ALL BURRS AND SHARP EDGES 2 R MAX * DIMENSIONS ARE IN MILLIMETERS * TOLERANCES ARE: DECIMALS ±3 ANGLES ±1.0° DO NOT SCALE DRAWING	THIRD ANGLE PROJECTION 	SERVER TECHNOLOGY, INC. 1040 Sandhill Drive Reno, NV 89521
	MATERIAL:	APPROVALS DRAWN BY: MRAMSEY	DATE 08/04/2010
	FINISH:	CHECKED BY: APPROVED BY: RELEASED BY:	DRAWING TITLE: BASIC CDU MODEL #CB-24V2-L630 24/30A, 120V BASIC WIRING DIAGRAM
	VENDOR PART NO:	SIZE: D CAGE CODE: 04V90 SCALE: 1/1	DWG NO.: 495-0371-4 FILE NO.: 495-0371-4.dwg