

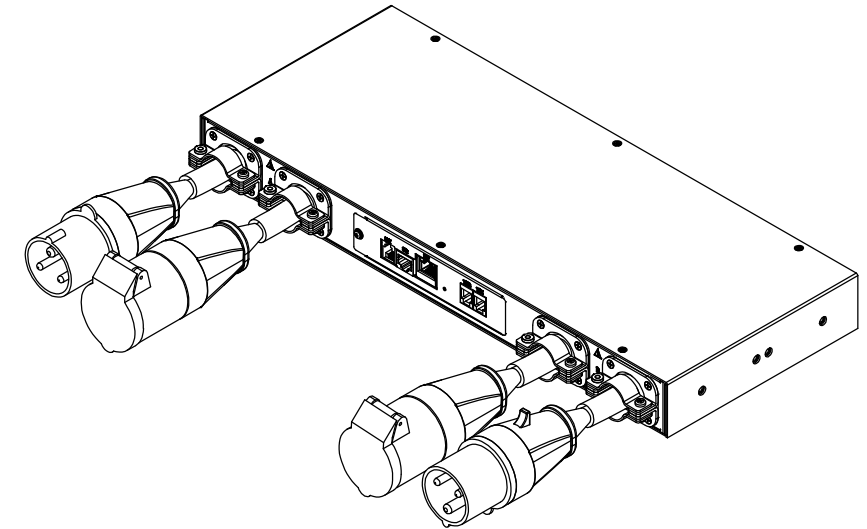
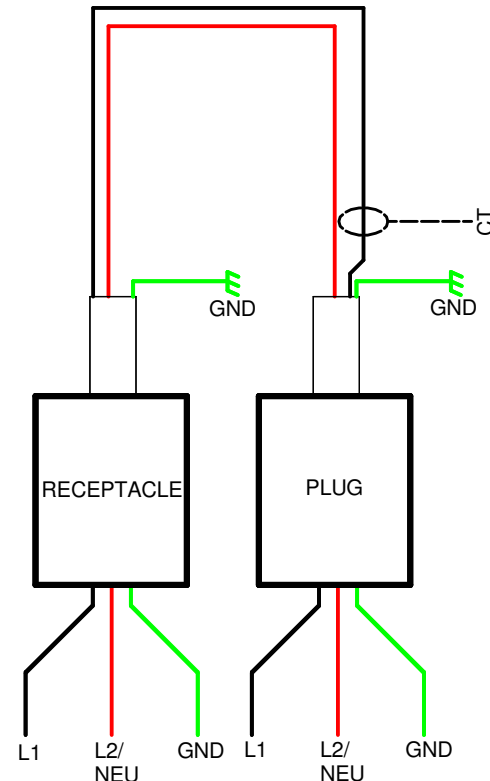
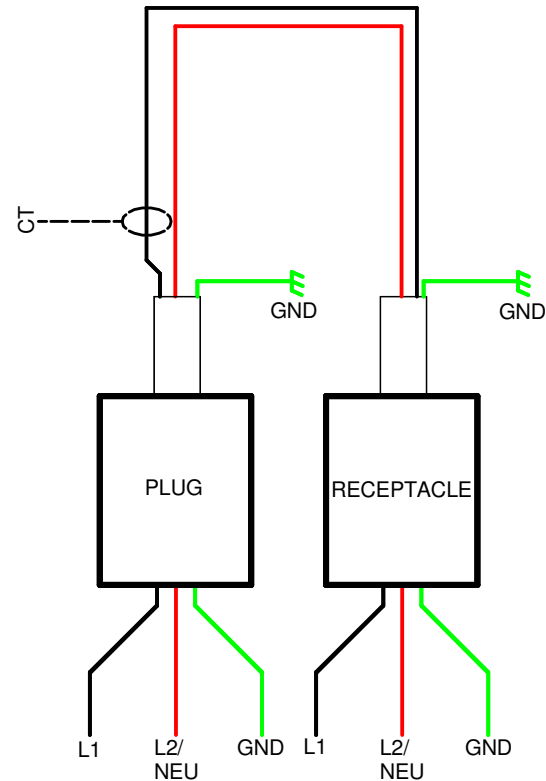
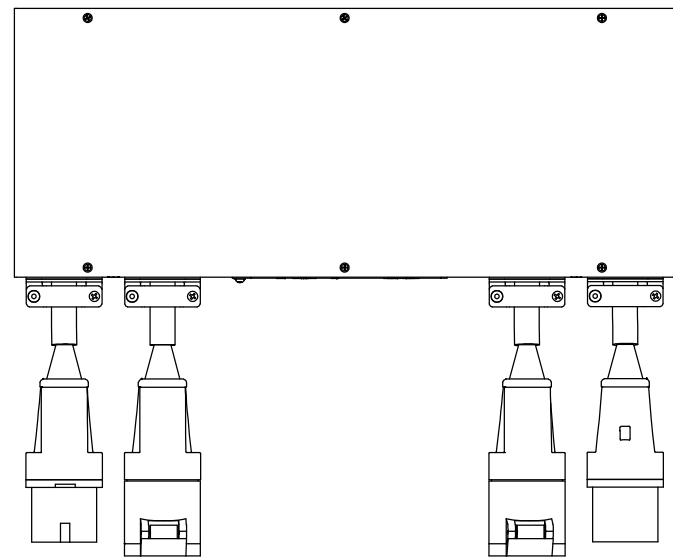
SERVER TECHNOLOGY, INC  
 PROPRIETARY INFORMATION

THIS DOCUMENT IS THE SOLE PROPERTY OF SERVER TECHNOLOGY, INC. THE RELEASE OF DATA CONTAINED IN THIS DOCUMENT AND THE REPRODUCTION OF THIS DOCUMENT, IN WHOLE OR IN PART, WITHOUT THE WRITTEN PERMISSION OF SERVER TECHNOLOGY, INC IS PROHIBITED.

THESE COMMODITIES, TECHNOLOGY OR SOFTWARE WERE EXPORTED FROM THE UNITED STATES IN ACCORDANCE WITH THE EXPORT ADMINISTRATION REGULATIONS. DIVERSION CONTRARY TO U.S. LAW IS PROHIBITED.

RoHS COMPLIANT

REVISION HISTORY				
ZONE	REV	DESCRIPTION	DATE	APPROVED
-	1	INITIAL DESIGN	3/17/11	MB/VB



POWER CORD A

POWER CORD B

Part Number	Input			Output				
	Model	Rating, North America	GS	PSE Japan	Input Type	Output Rating North America	GS	PSE Japan
CS-2HD2C131Z1		208-240V, 50/60Hz; 24A each		200-240V, 50/60Hz; 30A each	NEMA L6-30P	208-240V, 50/60Hz; <= 24A each		200-240V, 50/60Hz; <= 30A each
CS-2HDEK131Z1		230V, 50/60Hz; 32A each			IEC 60309 32A	230V, 50/60Hz; <= 32A each		

<b>TOLERANCES</b> (UNLESS OTHERWISE SPECIFIED) CAB LENGTH (mm): 0 - 50 = -0, +5 51 - 200 = -0, +10 201 - 500 = -0, +15 501 - 1000 = -0, +20 1001 - 2000 = -0, +40 2001 - 4000 = -0, +75 4001 AND GREATER = -0, +100  SHRINK TUBE AND INSULATION LENGTH (mm): X ± 10%  <b>SYMBOLS</b> (Q#) = CRITICAL DIM. (S) = COSMETIC SURFACE	UNLESS OTHERWISE SPECIFIED * INTERPRET DRAWING IAW ASME Y14.100-2000 * DIMENSIONING & TOLERANCING IAW ASME Y14.5M-2007 * REMOVE ALL BURRS AND SHARP EDGES .2 R MAX * DIMENSIONS ARE IN MILLIMETERS * DIMENSIONAL LIMITS APPLY AFTER PLATING/COATING. DO NOT SCALE DRAWING	THIRD ANGLE PROJECTION 	
	MATERIAL:	APPROVALS	DATE
	FINISH:	MB	3/17/2011
	VENDOR PART NO:	VB	3/17/2011

**SERVER TECHNOLOGY, INC.**

1040 Sandhill Drive Reno, NV 89521

DRAWING TITLE:  
**SMART, CDU MODEL #CS[CL]-2HDxx,  
 32A, 2 IN 2 OUT, 1 & 2 PHASE, 208-240V,  
 BASIC WIRING DIAGRAM**

SIZE	CAGE CODE	DWG NO.	REV
B	04V90	495-0438-1	1
SCALE: NONE	FILE NO: 495-0438-1.idw	SHEET	1 OF 1