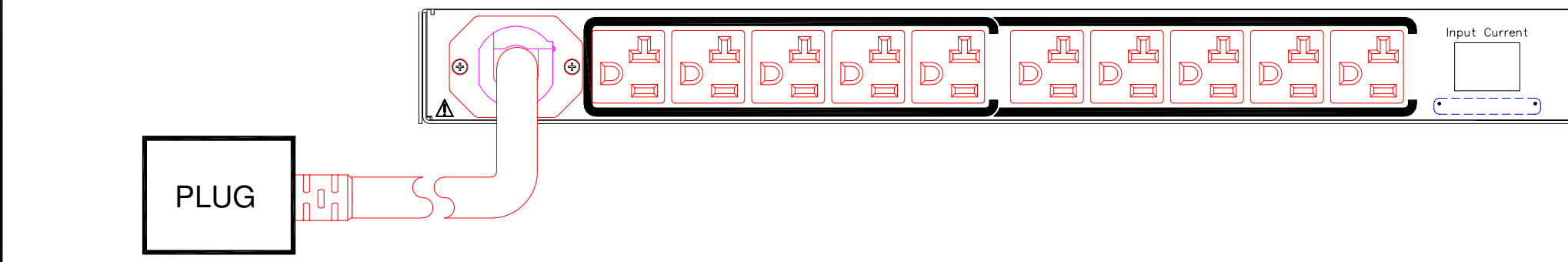
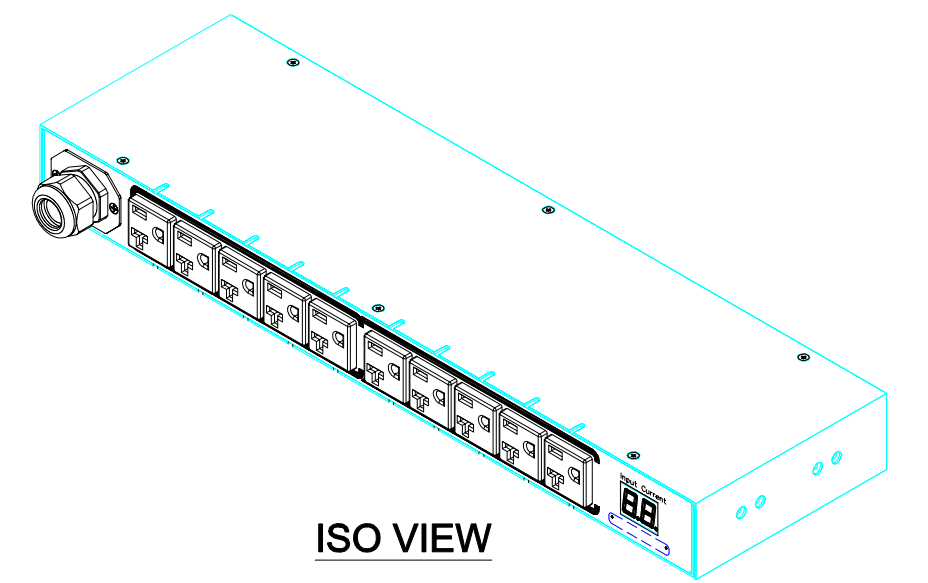
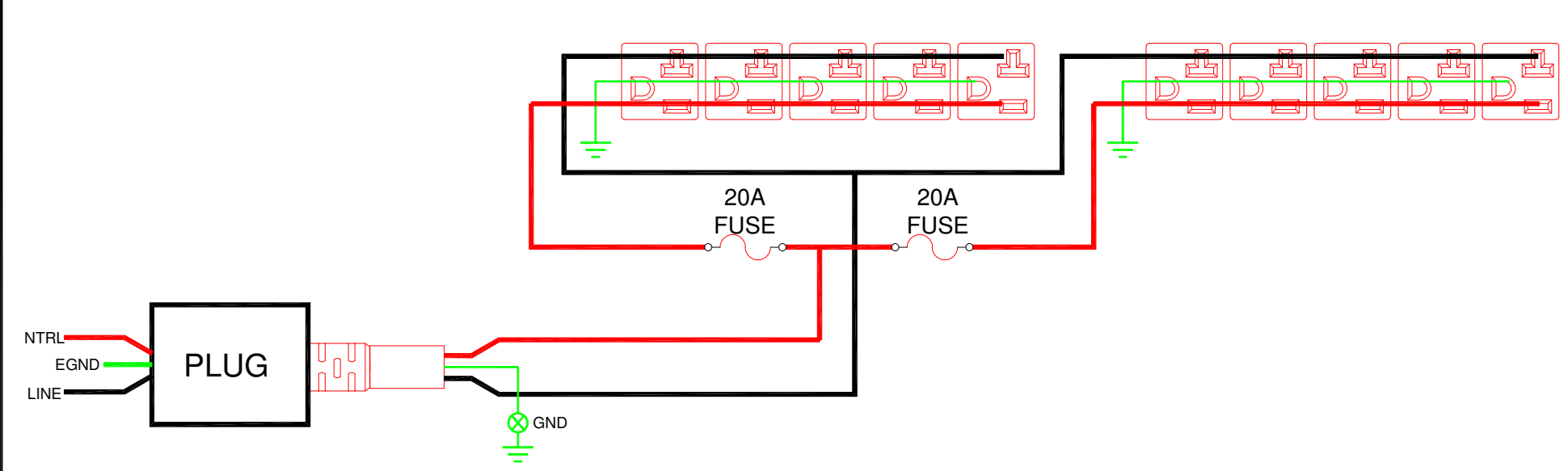


NOTES:



Part Number	Input	Output								
Model	Rating, North America	OS	PSE/Japan	Input Type	Output Rating North America	OS	PSE/Japan	Circuit: North America / OS / PSE	Circuit Type	Branch Circuit: North America / OS / P
C-10H1-L30M	100-120V, 50/60Hz, 24A		100-120V, 50/60Hz, 30A	NEMA15-30P	100-120V, 50/60Hz, 24A		100-120V, 50/60Hz, 30A	218A//220A	NEMA5-20M	218A//220A

<p>TOLERANCES (UNLESS OTHERWISE SPECIFIED)</p> <p>LINEAR DIMENSIONS: .X = ± .500 .XX = ± .300 .XXX = ± .130</p> <p>ANGULAR DIMENSIONS: X.X = ± 5° X.XX = ± .25°</p> <p>SYMBOLS (Q#) = CRITICAL DIM. (S) = COSMETIC SURFACE</p>	<p>UNLESS OTHERWISE SPECIFIED</p> <p>* INTERPRET DRAWING IAW ASME Y14.100-2000 * DIMENSIONING & TOLERANCING IAW ASME Y14.5M-1994 * REMOVE ALL BURRS AND SHARP EDGES 2 R MAX * DIMENSIONS ARE IN MILLIMETERS * TOLERANCES ARE: DECIMALS ±3 ANGLES ±1.0° DO NOT SCALE DRAWING</p> <p>MATERIAL:</p> <p>FINISH:</p> <p>VENDOR PART NO:</p>	<p>THIRD ANGLE PROJECTION</p>		<p>SERVER TECHNOLOGY, INC.</p> <p>1040 Sandhill Drive Reno, NV 89521</p> <p>DRAWING TITLE: METERED CDU MODEL #C-10H1-L30M 120V, 30A BASIC WIRING DIAGRAM</p>		
		<p>APPROVALS</p> <p>DRAWN BY: MRAMSEY</p> <p>CHECKED BY:</p> <p>APPROVED BY:</p> <p>RELEASED BY:</p>	<p>DATE</p> <p>08/04/2010</p>		<p>SIZE</p> <p>D</p>	<p>CAGE CODE</p> <p>04V90</p>
		<p>SCALE: 1/1</p>	<p>FILE NO: 495-0413-1.dwg</p>		<p>DWG NO.</p> <p>495-0413-1</p>	<p>REV</p> <p>1</p>
		<p>SHEET 1 OF 1</p>				