

SERVER TECHNOLOGY, INC
PROPRIETARY INFORMATION

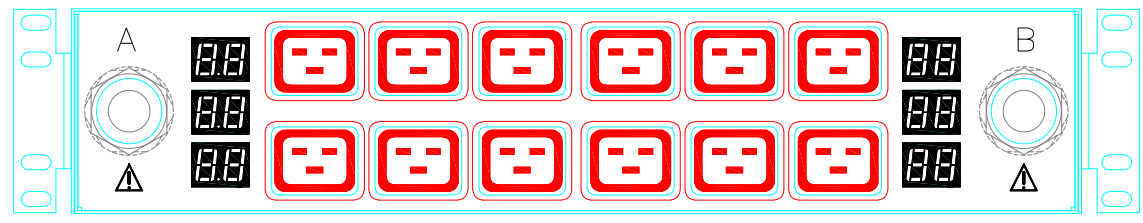
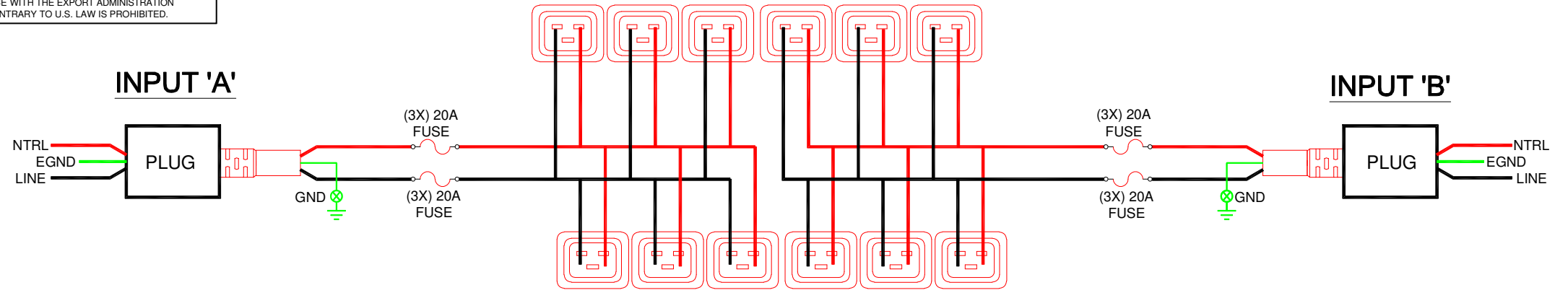
THIS DOCUMENT IS THE SOLE PROPERTY OF SERVER TECHNOLOGY, INC. THE RELEASE OF DATA CONTAINED IN THIS DOCUMENT AND THE REPRODUCTION OF THIS DOCUMENT, IN WHOLE OR IN PART, WITHOUT THE WRITTEN PERMISSION OF SERVER TECHNOLOGY, INC IS PROHIBITED.

THESE COMMODITIES, TECHNOLOGY OR SOFTWARE WERE EXPORTED FROM THE UNITED STATES IN ACCORDANCE WITH THE EXPORT ADMINISTRATION REGULATIONS. DIVERSION CONTRARY TO U.S. LAW IS PROHIBITED.

RoHS COMPLIANT

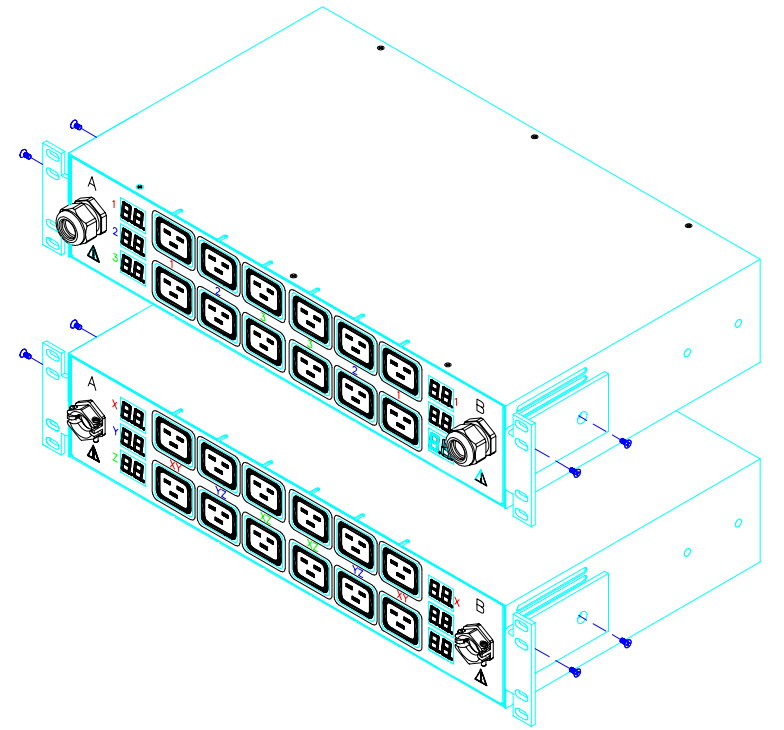
REV		DESCRIPTION	DATE	DFT/APPR
1		INITIAL DESIGN	08/04/2010	MAR/

NOTES:



Part Number	Input	Output
Model	Rating, North America	Rating, North America
C-12HD2-L30	208-240V, 50/60Hz; 2x16A	208-240V, 50/60Hz; A, B & 16A
C-12HD2-L630	208-240V, 50/60Hz; 2x24A	208-240V, 50/60Hz; A, B & 24A
C-12HDE-30916E	120V, 50/60Hz; 2x16A	120V, 50/60Hz; A, B & 16A
C-12HDE-30932E	120V, 50/60Hz; 2x32A	120V, 50/60Hz; A, B & 32A
CS-12HD2-L30	208-240V, 50/60Hz; 2x16A	208-240V, 50/60Hz; A, B & 16A
CS-12HD2-L630	208-240V, 50/60Hz; 2x24A	208-240V, 50/60Hz; A, B & 24A
CS-12HDE-30916E	120V, 50/60Hz; 2x16A	120V, 50/60Hz; A, B & 16A
CS-12HDE-30932E	120V, 50/60Hz; 2x32A	120V, 50/60Hz; A, B & 32A

Part Number	Input	Output
Model	Rating, North America	Rating, North America
C-12HDD-L1530	240V 3W +PE, 50/60Hz; 2x16A	240V, 50/60Hz; A, B & 27.6A
C-12HDD-L1530	240V 3W +PE, 50/60Hz; 2x24A	240V, 50/60Hz; A, B & 41.6A
C-12HDY-L2120	120/208V 3W+N+PE, 50/60Hz; 2x16A	120V, 50/60Hz; A, B & 27.6A
C-12HDY-L2130	120/208V 3W+N+PE, 50/60Hz; 2x24A	120V, 50/60Hz; A, B & 41.6A
CL-12HD-D-L203	240V 3W +PE, 50/60Hz; 2x16A	240V, 50/60Hz; A, B & 27.6A
CL-12HD-D-L303	240V 3W +PE, 50/60Hz; 2x24A	240V, 50/60Hz; A, B & 41.6A
CL-12HDY-L203	120/208V 3W+N+PE, 50/60Hz; 2x16A	120V, 50/60Hz; A, B & 27.6A
CL-12HDY-L303	120/208V 3W+N+PE, 50/60Hz; 2x24A	120V, 50/60Hz; A, B & 41.6A
CS-12HD-D-L1530	240V 3W +PE, 50/60Hz; 2x16A	240V, 50/60Hz; A, B & 27.6A
CS-12HD-D-L1530	240V 3W +PE, 50/60Hz; 2x24A	240V, 50/60Hz; A, B & 41.6A
CS-12HD-D-L203	240V 3W +PE, 50/60Hz; 2x16A	240V, 50/60Hz; A, B & 27.6A
CS-12HD-D-L303	240V 3W +PE, 50/60Hz; 2x24A	240V, 50/60Hz; A, B & 41.6A
CS-12HDY-L2120	120/208V 3W+N+PE, 50/60Hz; 2x16A	120V, 50/60Hz; A, B & 27.6A
CS-12HDY-L2130	120/208V 3W+N+PE, 50/60Hz; 2x24A	120V, 50/60Hz; A, B & 41.6A
CS-12HDY-L303	120/208V 3W+N+PE, 50/60Hz; 2x24A	120V, 50/60Hz; A, B & 41.6A



ISO VIEW

<p>TOLERANCES (UNLESS OTHERWISE SPECIFIED)</p> <p>LINEAR DIMENSIONS: .X = ± .500 .XX = ± .300 .XXX = ± .130</p> <p>ANGULAR DIMENSIONS: X.X = ± 5° X.XX = ± .25°</p> <p>SYMBOLS (Q#) = CRITICAL DIM. (S) = COSMETIC SURFACE</p>	<p>UNLESS OTHERWISE SPECIFIED</p> <p>* INTERPRET DRAWING IAW ASME Y14.100-2000</p> <p>* DIMENSIONING & TOLERANCING IAW ASME Y14.5M-1994</p> <p>* REMOVE ALL BURRS AND SHARP EDGES 2 R MAX</p> <p>* DIMENSIONS ARE IN MILLIMETERS</p> <p>* TOLERANCES ARE: DECIMALS ±3 ANGLES ±1.0°</p> <p>DO NOT SCALE DRAWING</p>	<p>THIRD ANGLE PROJECTION</p>	<p>SERVER TECHNOLOGY, INC.</p> <p>1040 Sandhill Drive Reno, NV 89521</p>	
			<p>APPROVALS</p> <p>DRAWN BY: MRAMSEY</p> <p>CHECKED BY:</p> <p>APPROVED BY:</p> <p>RELEASED BY:</p>	<p>DATE</p> <p>08/04/2010</p>
<p>SIZE: D</p> <p>CAGE CODE: 04V90</p> <p>SCALE: 1/1</p>		<p>DWG NO.: 495-0112-1</p> <p>FILE NO.: 495-0112-1.dwg</p>		<p>REV: 1</p> <p>SHEET: 1 OF 1</p>