

SERVER TECHNOLOGY, INC.
PROPRIETARY INFORMATION

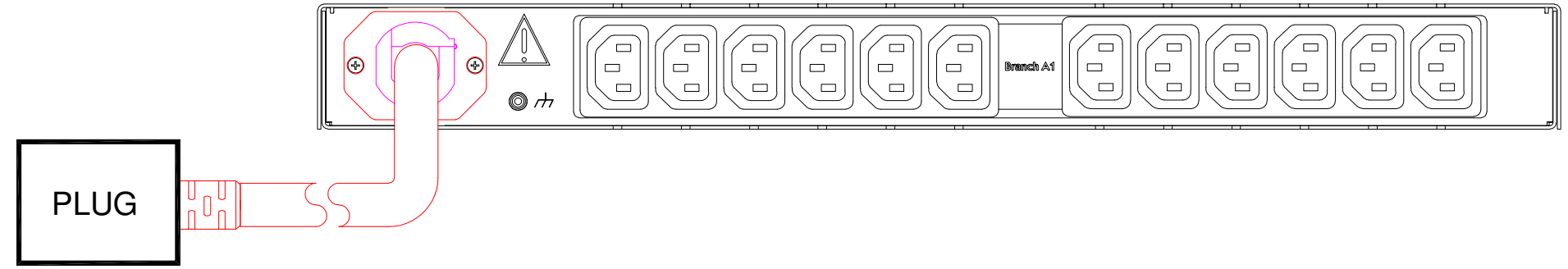
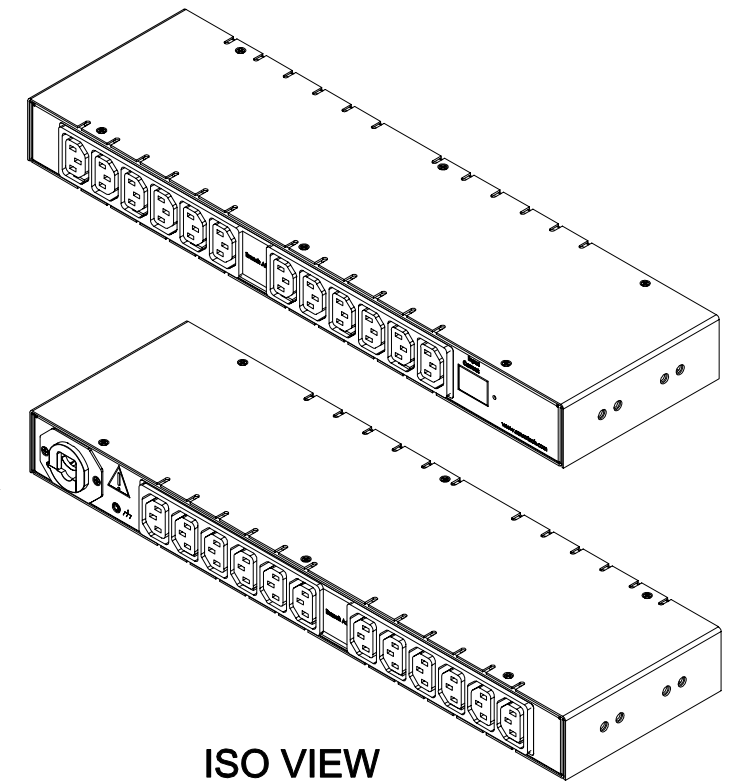
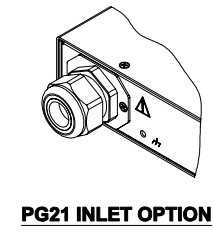
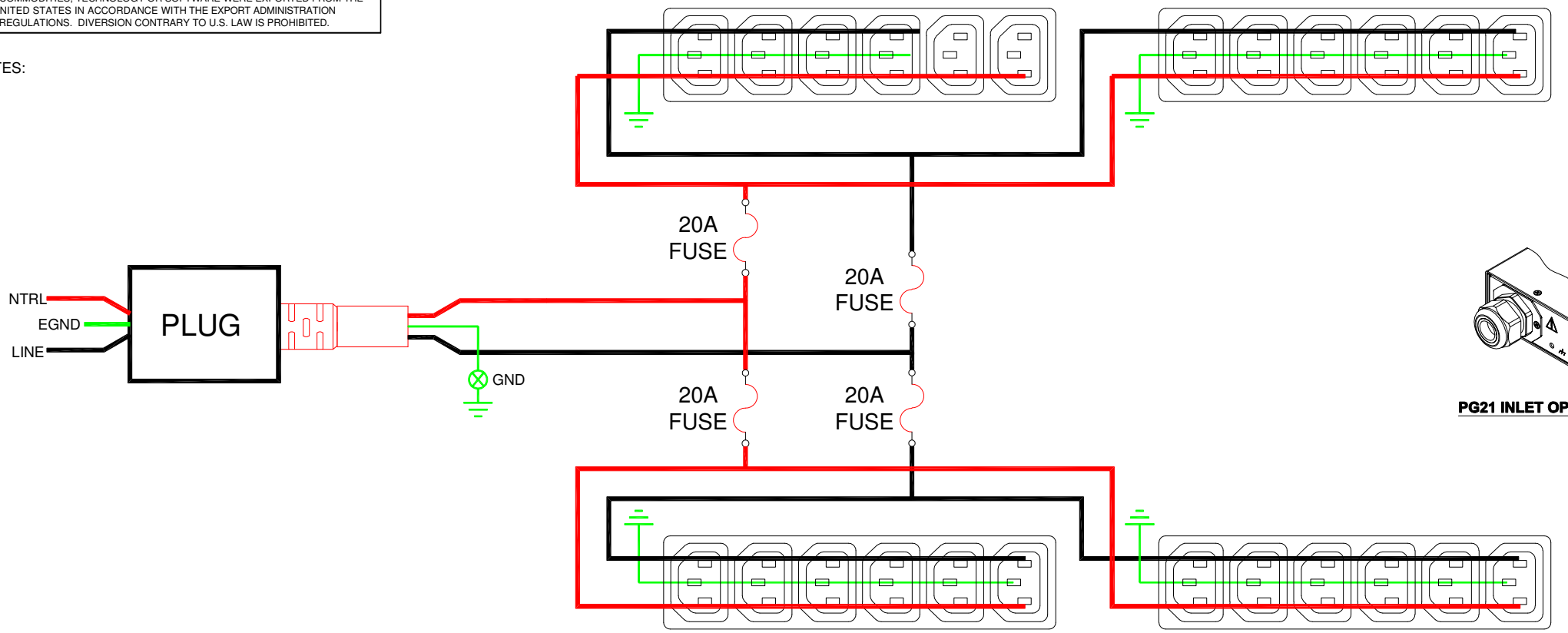
THIS DOCUMENT IS THE SOLE PROPERTY OF SERVER TECHNOLOGY, INC. THE RELEASE OF DATA CONTAINED IN THIS DOCUMENT AND THE REPRODUCTION OF THIS DOCUMENT, IN WHOLE OR IN PART, WITHOUT THE WRITTEN PERMISSION OF SERVER TECHNOLOGY, INC IS PROHIBITED.

THESE COMMODITIES, TECHNOLOGY OR SOFTWARE WERE EXPORTED FROM THE UNITED STATES IN ACCORDANCE WITH THE EXPORT ADMINISTRATION REGULATIONS. DIVERSION CONTRARY TO U.S. LAW IS PROHIBITED.

RoHS COMPLIANT

REV		DESCRIPTION	DATE	DFT/APPR
1	INITIAL DESIGN		08/04/2010	MAR/

NOTES:



Part Number	Input			Output						
Model	Rating, North America	GS	PSE/Japan	Input Type	Output Rating, North America	GS	PSE/Japan	Outlet: North America / GS / PSE	Outlet Type	Branch Circuit: North America / GS / P
C-24H2-L30	208-240V, 50/60Hz; 24A		200-240V, 50/60Hz; 30A	NEMA L6-30P	208-240V, 50/60Hz; ≤24A		200-240V, 50/60Hz; ≤30A	≤12A//≤15A	IEC 60320 C13	≤16A//≤20A

TOLERANCES
 (UNLESS OTHERWISE SPECIFIED)
 LINEAR DIMENSIONS:
 .X = ±.500
 .XX = ±.300
 .XXX = ±.130
 ANGULAR DIMENSIONS:
 X.X = ±.5°
 X.XX = ±.25°

SYMBOLS
 (Q#) = CRITICAL DIM.
 (S) = COSMETIC SURFACE

UNLESS OTHERWISE SPECIFIED
 * INTERPRET DRAWING IAW ASME Y14.100-2000
 * DIMENSIONING & TOLERANCING IAW ASME Y14.5M-1994
 * REMOVE ALL BURRS AND SHARP EDGES 2 R MAX
 * DIMENSIONS ARE IN MILLIMETERS
 * TOLERANCES ARE: DECIMALS ±3 ANGLES ±1.0°
 DO NOT SCALE DRAWING

THIRD ANGLE PROJECTION

APPROVALS
 DRAWN BY: MRAMSEY
 CHECKED BY:
 APPROVED BY:
 RELEASED BY:

DATE
 08/04/2010

MATERIAL:
FINISH:
VENDOR PART NO.:

SERVER TECHNOLOGY, INC.
 1040 Sandhill Drive Reno, NV 89521

DRAWING TITLE:
 METERED CDU MODEL #C-24H2-L30
 208V, 30A BASIC WIRING DIAGRAM

SIZE D **CAGE CODE** 04V90 **DWG NO.** 495-0406-1 **REV** 1

SCALE: 1/1 **FILE NO:** 495-0406-1.dwg **SHEET** 1 OF 1