

SERVER TECHNOLOGY, INC.
PROPRIETARY INFORMATION

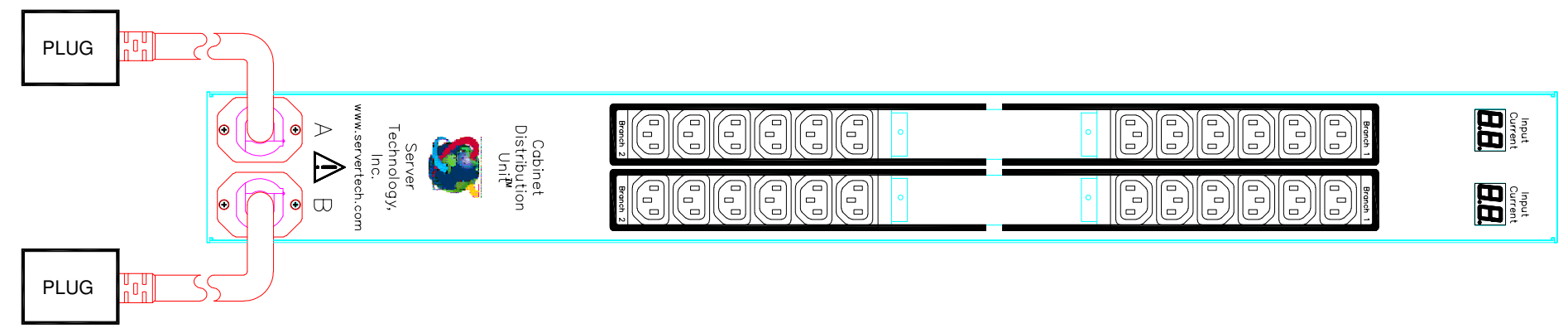
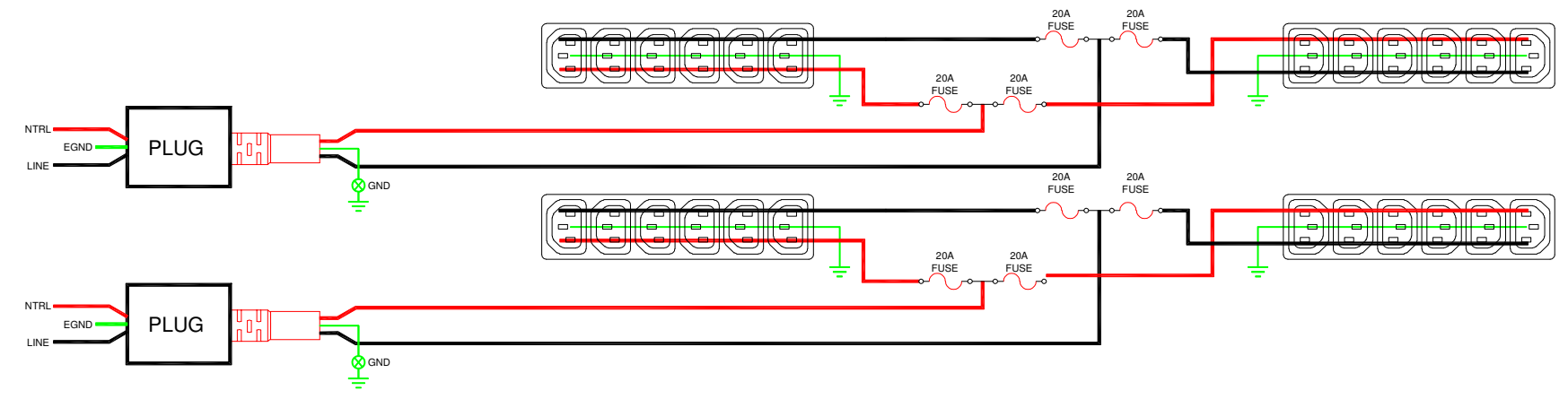
THIS DOCUMENT IS THE SOLE PROPERTY OF SERVER TECHNOLOGY, INC. THE RELEASE OF DATA CONTAINED IN THIS DOCUMENT AND THE REPRODUCTION OF THIS DOCUMENT, IN WHOLE OR IN PART, WITHOUT THE WRITTEN PERMISSION OF SERVER TECHNOLOGY, INC IS PROHIBITED.

THESE COMMODITIES, TECHNOLOGY OR SOFTWARE WERE EXPORTED FROM THE UNITED STATES IN ACCORDANCE WITH THE EXPORT ADMINISTRATION REGULATIONS. DIVERSION CONTRARY TO U.S. LAW IS PROHIBITED.

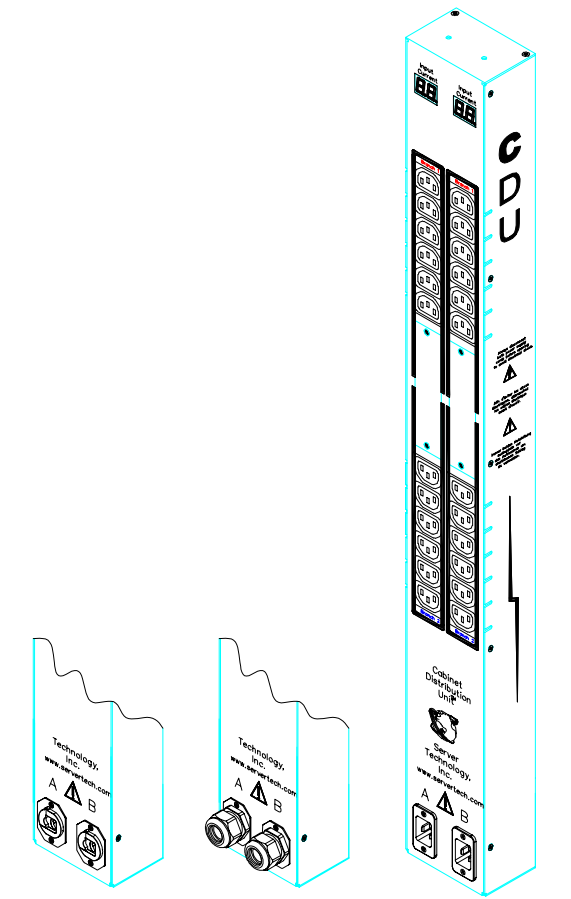
RoHS COMPLIANT

REVISIONS			
REV	DESCRIPTION	DATE	DFT/APPR
1	INITIAL DESIGN	08/04/2010	MAR/

NOTES:



Part Number	Input	Output
Model	Rating North America	OS
C-24VD2-C20	208-240V, 50/60Hz, 2x16A	200-240V, 50/60Hz, 2x20A
C-24VD2-L630	208-240V, 50/60Hz, 2x24A	200-240V, 50/60Hz, 2x50A
C-24VD2-L630-E	220V, 50/60Hz, 2x24A	230V, 50/60Hz, 2x24A
C-24VD2-C20	220V, 50/60Hz, 2x16A	230V, 50/60Hz, 2x16A



ISO VIEW

Part Number	Input	Output
Model	Rating North America	OS
C-24VD2-C20	208-240V, 50/60Hz, 2x16A	200-240V, 50/60Hz, 2x20A
C-24VD2-L630	208-240V, 50/60Hz, 2x24A	200-240V, 50/60Hz, 2x50A
C-24VD2-L630-E	220V, 50/60Hz, 2x24A	230V, 50/60Hz, 2x24A
C-24VD2-C20	220V, 50/60Hz, 2x16A	230V, 50/60Hz, 2x16A

<p>TOLERANCES (UNLESS OTHERWISE SPECIFIED)</p> <p>LINEAR DIMENSIONS:</p> <p>.X = ± .500</p> <p>.XX = ± .300</p> <p>.XXX = ± .130</p> <p>ANGULAR DIMENSIONS:</p> <p>X.X = ± 5°</p> <p>X.XX = ± .25°</p> <p>SYMBOLS</p> <p>⓪# = CRITICAL DIM.</p> <p>Ⓢ = COSMETIC SURFACE</p>	<p>UNLESS OTHERWISE SPECIFIED</p> <p>* INTERPRET DRAWING IAW ASME Y14.100-2000</p> <p>* DIMENSIONING & TOLERANCING IAW ASME Y14.5M-1994</p> <p>* REMOVE ALL BURRS AND SHARP EDGES 2 R MAX</p> <p>* DIMENSIONS ARE IN MILLIMETERS</p> <p>* TOLERANCES ARE: DECIMALS ±3 ANGLES ±1.0°</p> <p>DO NOT SCALE DRAWING</p> <p>MATERIAL:</p> <p>FINISH:</p> <p>VENDOR PART NO:</p>	<p>THIRD ANGLE PROJECTION</p>	<p>SERVER TECHNOLOGY, INC.</p> <p>1040 Sandhill Drive Reno, NV 89521</p>			
			<p>APPROVALS</p> <p>DRAWN BY: MRAMSEY</p> <p>CHECKED BY:</p> <p>APPROVED BY:</p> <p>RELEASED BY:</p>	<p>DATE</p> <p>08/04/2010</p>	<p>DRAWING TITLE:</p> <p>METERED CDU MODEL #C-24VD2-C20, L6-30, 208V BASIC WIRING DIAGRAM</p>	
				<p>SIZE: D</p> <p>CAGE CODE: 04V90</p> <p>SCALE: 1/1</p>	<p>DWG NO.: 495-0394-1</p> <p>FILE NO.: 495-0394-1.dwg</p>	<p>REV: 1</p> <p>SHEET: 1 OF 1</p>