

SERVER TECHNOLOGY, INC.
PROPRIETARY INFORMATION

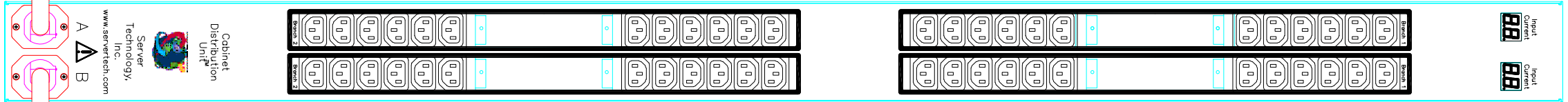
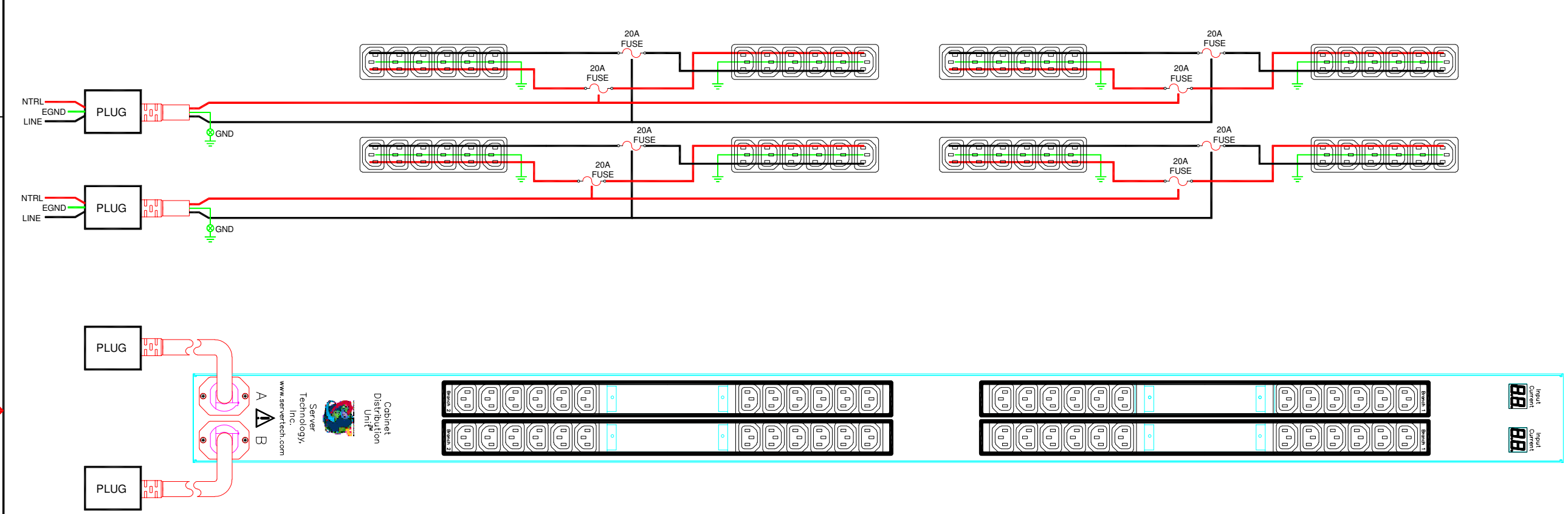
THIS DOCUMENT IS THE SOLE PROPERTY OF SERVER TECHNOLOGY, INC. THE RELEASE OF DATA CONTAINED IN THIS DOCUMENT AND THE REPRODUCTION OF THIS DOCUMENT, IN WHOLE OR IN PART, WITHOUT THE WRITTEN PERMISSION OF SERVER TECHNOLOGY, INC IS PROHIBITED.

THESE COMMODITIES, TECHNOLOGY OR SOFTWARE WERE EXPORTED FROM THE UNITED STATES IN ACCORDANCE WITH THE EXPORT ADMINISTRATION REGULATIONS. DIVERSION CONTRARY TO U.S. LAW IS PROHIBITED.

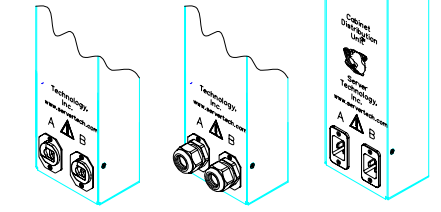
RoHS COMPLIANT

REV		DESCRIPTION	DATE	DFT/APPR
1		INITIAL DESIGN	08/04/2010	MAR/

NOTES:



Part Number	Input		Output	
	Rating, North America	GS	Rating North America	GS
C-48VD2-C20	208-240 V, 50/60Hz; 2x 16A		208-240V, 50/60Hz; 2x 20A	
C-48VD2-L630	208-240 V, 50/60Hz; 2x 24A		208-240V, 50/60Hz; 2x 30A	



ISO VIEW

TOLERANCES (UNLESS OTHERWISE SPECIFIED) LINEAR DIMENSIONS: .X = ± .500 .XX = ± .300 .XXX = ± .130 ANGULAR DIMENSIONS: X.X = ± 5° X.XX = ± .25° SYMBOLS (Q#) = CRITICAL DIM. (S) = COSMETIC SURFACE	UNLESS OTHERWISE SPECIFIED * INTERPRET DRAWING IAW ASME Y14.100-2000 * DIMENSIONING & TOLERANCING IAW ASME Y14.5M-1994 * REMOVE ALL BURRS AND SHARP EDGES 2 R MAX * DIMENSIONS ARE IN MILLIMETERS * TOLERANCES ARE: DECIMALS ±3 ANGLES ±1.0° DO NOT SCALE DRAWING	ISO VIEW 	SERVER TECHNOLOGY, INC. 1040 Sandhill Drive Reno, NV 89521	
			APPROVALS DRAWN BY: MRAMSEY CHECKED BY: APPROVED BY: RELEASED BY:	DATE 08/04/2010
VENDOR PART NO:		SIZE D CAGE CODE 04V90 DWG NO. 495-0395-1 REV 1		
SCALE: 1/1 FILE NO: 495-0395-1.dwg SHEET 1 OF 1				