

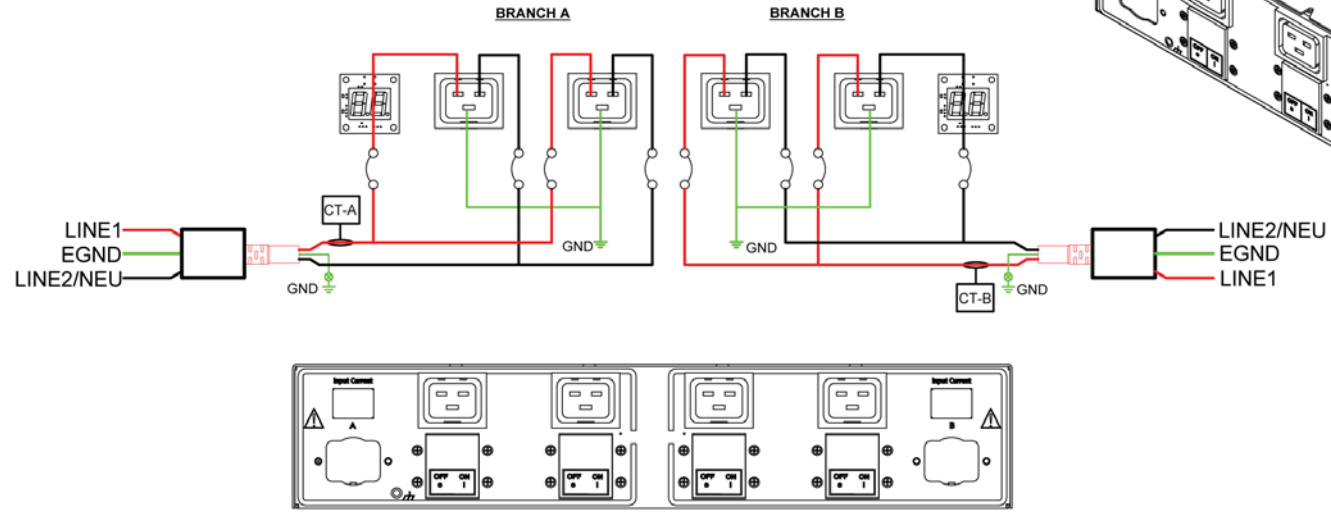
SERVER TECHNOLOGY, INC.  
 PROPRIETARY INFORMATION

THIS DOCUMENT IS THE SOLE PROPERTY OF SERVER TECHNOLOGY, INC. THE RELEASE OF DATA CONTAINED IN THIS DOCUMENT AND THE REPRODUCTION OF THIS DOCUMENT, IN WHOLE OR IN PART, WITHOUT THE WRITTEN PERMISSION OF SERVER TECHNOLOGY, INC IS PROHIBITED.

THESE COMMODITIES, TECHNOLOGY OR SOFTWARE WERE EXPORTED FROM THE UNITED STATES IN ACCORDANCE WITH THE EXPORT ADMINISTRATION REGULATIONS. DIVERSION CONTRARY TO U.S. LAW IS PROHIBITED.

RoHS COMPLIANT

REVISION HISTORY				
ZONE	REV	DESCRIPTION	DATE	APPROVED
	1	INITIAL DESIGN	2/28/2011	CC/



Part Number	Input	Output
Model	Rating, North America GS PSE Japan	Output Rating North America GS PSE Japan
C-4HD2A441A3	208-240V, 50/60Hz, 2x 16A	208-240V, 50/60Hz, A, B <= 16A
C-4HD2C441A3	208-240V, 50/60Hz, 2x 24A	208-240V, 50/60Hz, A, B <= 24A
C-4HDEA441A3	230V, 50/60Hz, 2x 16A	230V, 50/60Hz, A, B <= 16A
C-4HDEK441A3	230V, 50/60Hz, 2x 32A	230V, 50/60Hz, A, B <= 32A

TOLERANCES (UNLESS OTHERWISE SPECIFIED):  
 LINEAR DIMENSIONS:  
 X ± .500  
 .XX ± .300  
 .XXX ± .130

ANGULAR DIMENSIONS:  
 X ± 1°  
 .XX ± .5°  
 .XXX ± .25°

SYMBOLS  
 (D) = CRITICAL DIM  
 (S) = COSMETIC SURFACE

UNLESS OTHERWISE SPECIFIED  
 \* INTERPRET DRAWING IAW ASME Y14.100-2000  
 \* DIMENSIONING & TOLERANCING IAW ASME Y14.5M-2007  
 \* REMOVE ALL BURRS AND SHARP EDGES 2 R MAX.  
 \* DIMENSIONS ARE IN MILLIMETERS  
 \* DIMENSIONAL LIMITS APPLY AFTER PLATING/COATING.  
 DO NOT SCALE DRAWING

MATERIAL:  
 FINISH:  
 VENDOR PART NO:

THIRD ANGLE PROJECTION

APPROVALS DATE

DRAWN BY: CCONNOLLY 4/25/2011

CHECKED BY:

APPROVED BY:

RELEASED BY:

**SERVER TECHNOLOGY, INC.**  
 1040 Sandhill Drive Reno, NV 89521

DRAWING TITLE:  
**METERED, C-4HD2/E WIRING DIAGRAM**

SIZE B CAGE CODE 04V90 DWG NO. 495-0613-1 REV 1

SCALE: NONE FILE NO. 495-0613-1.idw SHEET 1 OF 1