

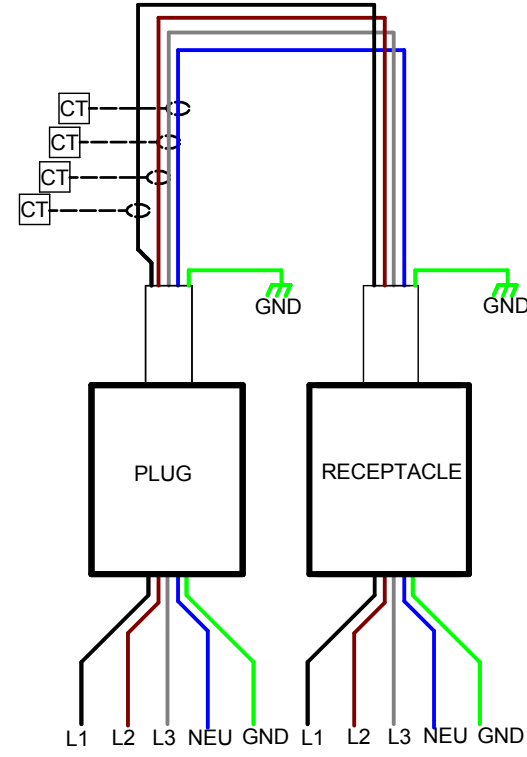
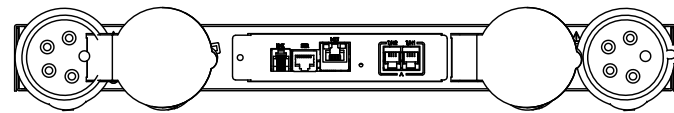
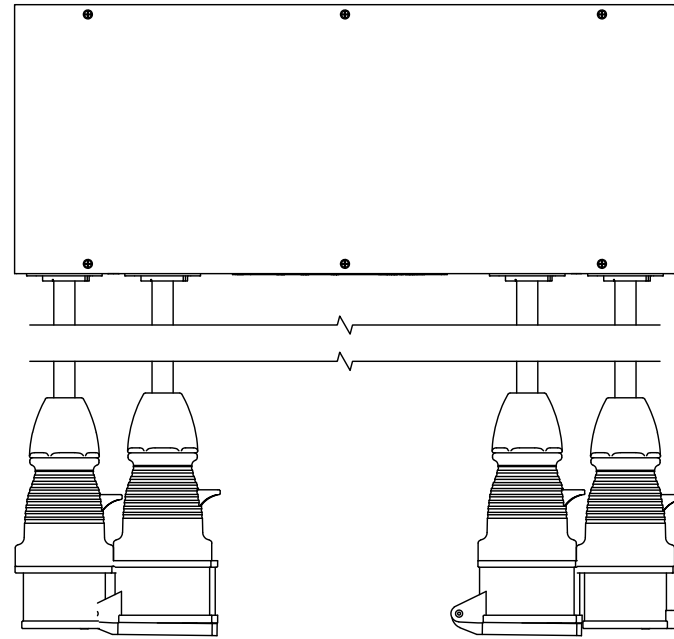
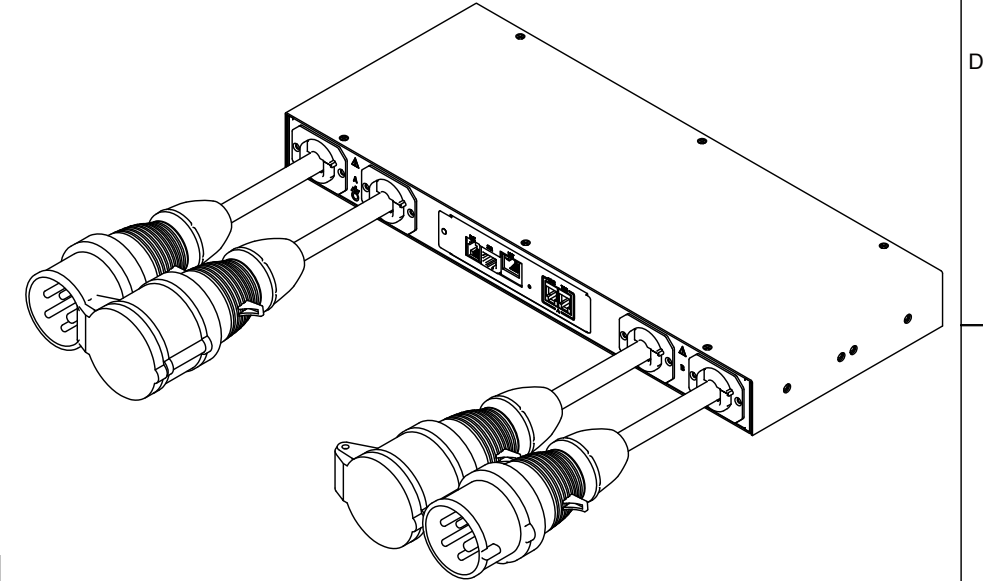
SERVER TECHNOLOGY, INC
 PROPRIETARY INFORMATION

THIS DOCUMENT IS THE SOLE PROPERTY OF SERVER TECHNOLOGY, INC. THE RELEASE OF DATA CONTAINED IN THIS DOCUMENT AND THE REPRODUCTION OF THIS DOCUMENT, IN WHOLE OR IN PART, WITHOUT THE WRITTEN PERMISSION OF SERVER TECHNOLOGY, INC IS PROHIBITED.

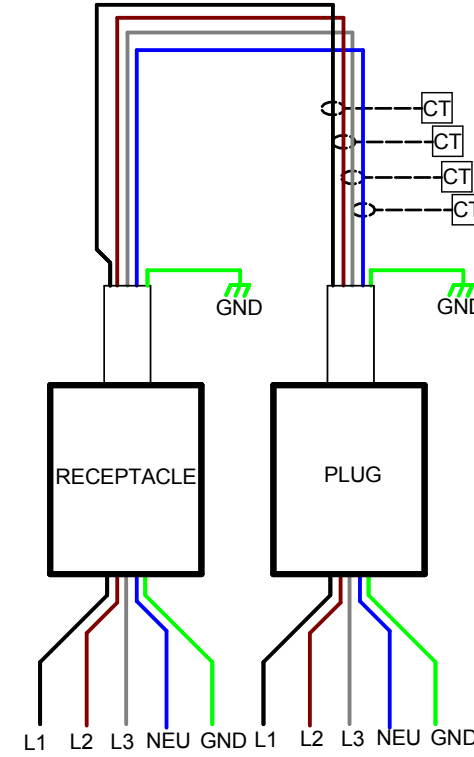
THESE COMMODITIES, TECHNOLOGY OR SOFTWARE WERE EXPORTED FROM THE UNITED STATES IN ACCORDANCE WITH THE EXPORT ADMINISTRATION REGULATIONS. DIVERSION CONTRARY TO U.S. LAW IS PROHIBITED.

RoHS COMPLIANT

REVISION HISTORY				
ZONE	REV	DESCRIPTION	DATE	APPROVED
-	1	INITIAL DESIGN	12/29/2011	MAR/TI



POWER CORD A



POWER CORD B

Part Number	Expansion	Input	Output
Master	Expansion	GS	Input Type
CS-2HD4J131Z1	CL-2HD4J131Z1	230/400V 3W+N+PE, 50/60Hz; 16A	IEC 60309 16A
CS-2HD4K131Z1	CL-2HD4K131Z1	230/400V 3W+N+PE, 50/60Hz; 32A	IEC 60309 32A
			Output Rating GS
			230V, 50/60Hz; <= 48A
			Outlet: GS
			<= 48A
			Outlet Type
			IEC 60309 16A
			Output Rating GS
			230V, 50/60Hz; <= 96A
			Outlet: GS
			<= 96A
			Outlet Type
			IEC 60309 32A

<p>TOLERANCES (UNLESS OTHERWISE SPECIFIED)</p> <p>LINEAR DIMENSIONS: X = ± .500 .XX = ± .300 .XXX = ± .130</p> <p>ANGULAR DIMENSIONS: X = ± 1° X.X = ± .5° X.XX = ± .25°</p> <p>SYMBOLS (Q#) = CRITICAL DIM. (S) = COSMETIC SURFACE</p>	<p>UNLESS OTHERWISE SPECIFIED</p> <p>* INTERPRET DRAWING IAW ASME Y14.100-2000</p> <p>* DIMENSIONING & TOLERANCING IAW ASME Y14.5M-2007</p> <p>* REMOVE ALL BURRS AND SHARP EDGES .2 R MAX</p> <p>* DIMENSIONS ARE IN MILLIMETERS</p> <p>* DIMENSIONAL LIMITS APPLY AFTER PLATING/COATING.</p> <p>DO NOT SCALE DRAWING</p> <p>THIRD ANGLE PROJECTION</p>	<p>SERVER TECHNOLOGY, INC.</p> <p>1040 Sandhill Drive Reno, NV 89521</p> <p>DRAWING TITLE: SMART, CDU MODEL #CS[CL]-2HDxx, 32A, 2 IN 2 OUT, 3PH WYE, 415V, BASIC WIRING DIAGRAM</p>
	<p>MATERIAL:</p> <p>FINISH:</p>	