

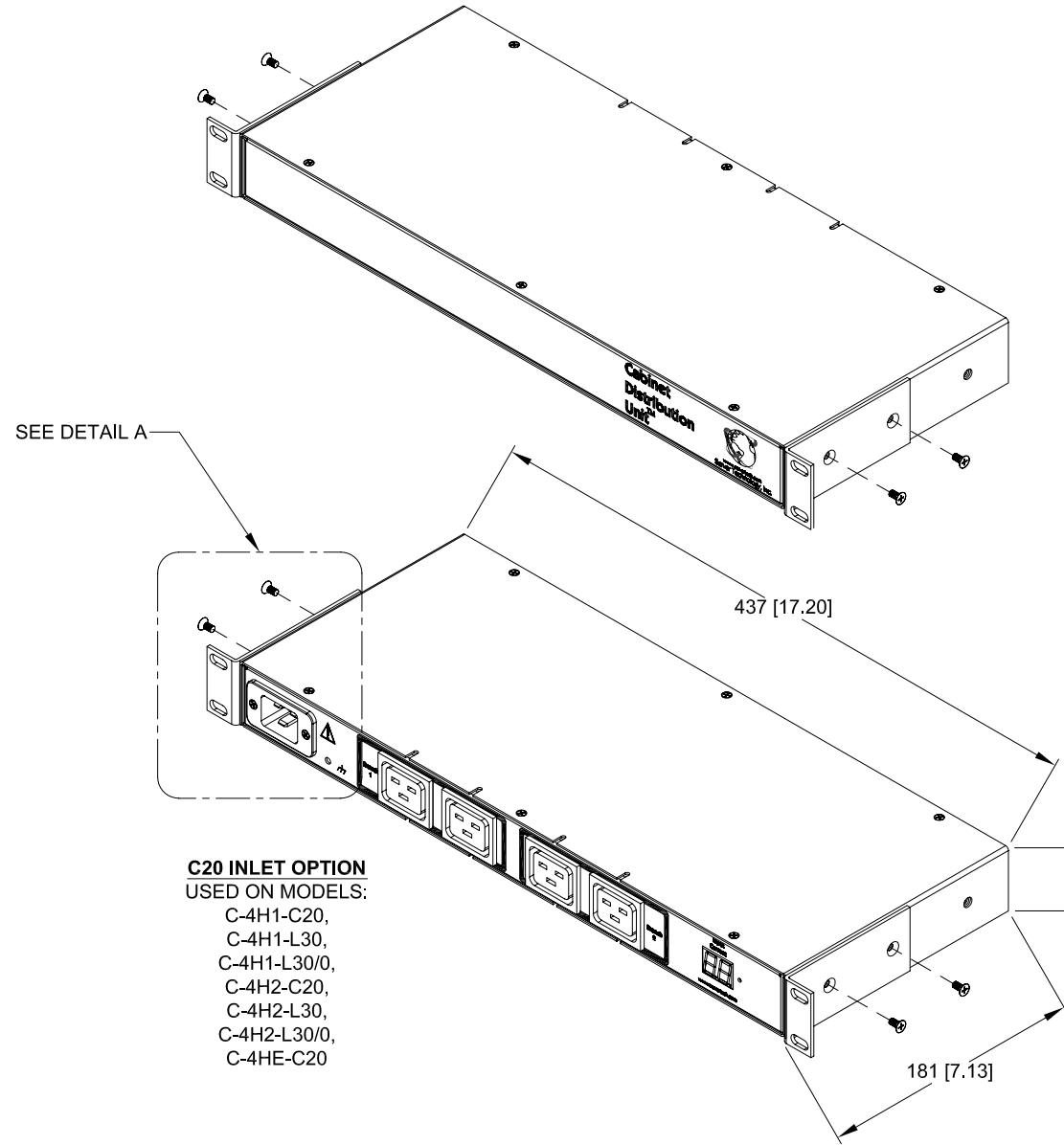
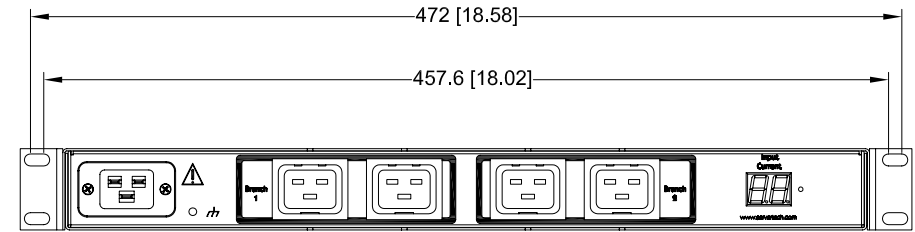
SERVER TECHNOLOGY, INC.  
 PROPRIETARY INFORMATION

THIS DOCUMENT IS THE SOLE PROPERTY OF SERVER TECHNOLOGY, INC. THE RELEASE OF DATA CONTAINED IN THIS DOCUMENT AND THE REPRODUCTION OF THIS DOCUMENT, IN WHOLE OR IN PART, WITHOUT THE WRITTEN PERMISSION OF SERVER TECHNOLOGY, INC IS PROHIBITED.

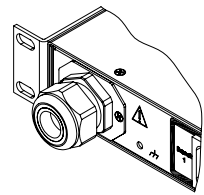
REVISIONS			
REV	DESCRIPTION	DATE	DFT/APPR
A	RELEASED TO PRODUCTION	07/25/08	GG/JM

NOTES:

1. DIMENSIONS ARE IN MILLIMETERS AND [ ] BRACKETS ARE IN INCHES.
2. MOUNTING BRACKET KIT CAN BE MOUNTED IN TWO POSITIONS, SEE FIG. A AND FIG. B.
3. DIMENSIONS ARE NOMINAL. INFORMATION SUBJECT TO CHANGE WITHOUT NOTICE.



**C20 INLET OPTION**  
 USED ON MODELS:  
 C-4H1-C20,  
 C-4H1-L30,  
 C-4H1-L30/0,  
 C-4H2-C20,  
 C-4H2-L30,  
 C-4H2-L30/0,  
 C-4HE-C20



**PG21 INLET OPTION**  
 USED ON MODEL:  
 C-4HE-P32

DETAIL A

2 FIG. A  
 KIT-MBH1-1

2 FIG. B  
 KIT-MBH1-1

UNLESS OTHERWISE SPECIFIED  
 \* INTERPRET DRAWING IAW ASME Y14.100-2000  
 \* DIMENSIONING & TOLERANCING IAW ASME Y14.5M-1994  
 \* REMOVE ALL BURRS AND SHARP EDGES .2 R MAX  
 \* DIMENSIONS ARE IN MILLIMETERS  
 \* TOLERANCES ARE: DECIMALS ±.3 ANGLES ±1.0°  
 DO NOT SCALE DRAWING

MATERIAL:	APPROVALS	DATE
FINISH:	THIRD ANGLE PROJECTION	
VENDOR PART NO:	APPROVED BY:	07/25/08
	CHECKED BY:	07/25/08
	APPROVED BY:	07/25/08
	RELEASED BY:	07/25/08

SERVER TECHNOLOGY, INC.

1040 Sandhill Drive Reno, NV 89521

DRAWING TITLE:  
**OUTLINE DRAWING, CDU,  
 C-4H1, C-4H2 AND C-4HE MODELS  
 WITH MOUNTING BRACKET OPTIONS**

SIZE	CAGE CODE	DWG NO.	REV
D	04V90	412-0368-1	A
SCALE: 1/2	FILE NO: 412-0368-1-2.dwg	SHEET	2 OF 2

RoHS COMPLIANT